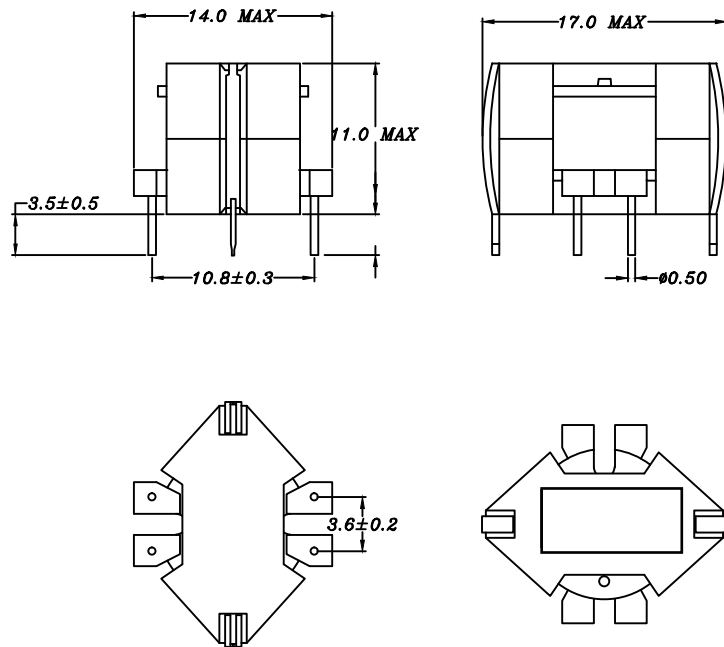


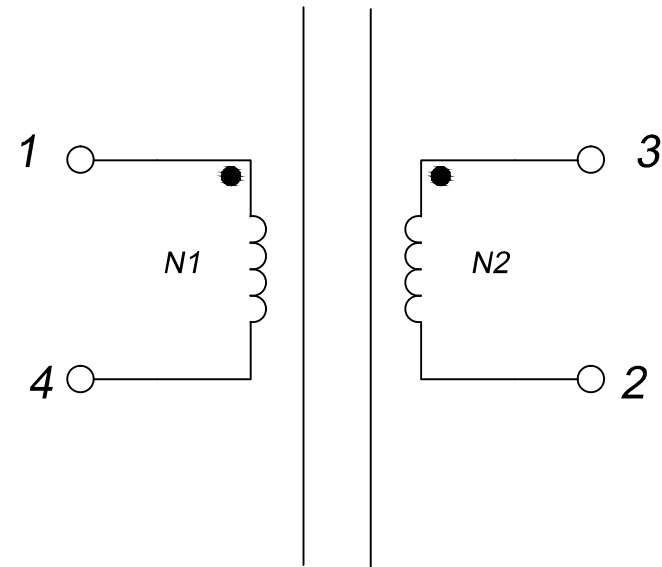
CUSTOMER TERMINAL	ROHS	Lead (Pb) -free
	YES	YES



1. Mechanical Dimensions



2. Schematic Diagram



3. Material List

Core:FW40-RM5
 Bobbin: FWB0503
 Wire:2UEW
 Operating Temperature: -30 to 115°C

4. Electrical Specification

Inductance: $L(1-4) = 11.75\text{mH} \pm 5\%$ 1.0KHZ 0.1V
 DCR: $(1-4) < 9.8\Omega$, $(2-3) < 204\Omega$

REV.	DATE	 Convention Placement	DRW.	Drawing Title: TRANSFORMER Customer P/N:	Part No:
0	06/01		CHK.		FWPTRM5V122J
RoHS		www.fosopower.com	APP.		Specification Sheet 1 of 1