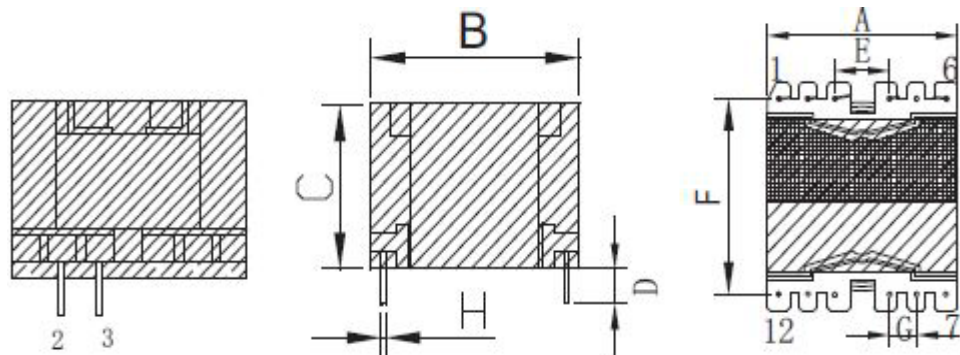


CUSTOMER TERMINAL	ROHS	Lead(Pb)-free
	YES	YES

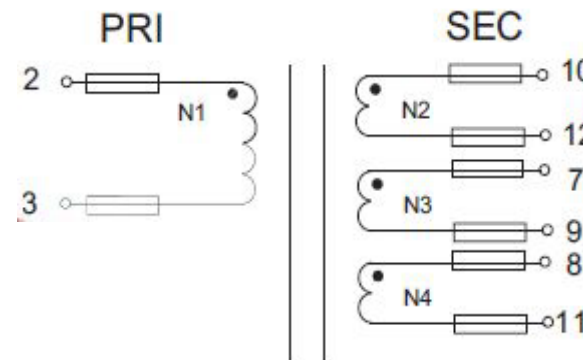


1.Mechanical Dimensions



A	35.0	MAX
B	35.0	MAX
C	26.5	MAX
D	3.5	±0.5
E	7.4	±0.3
F	30.0	±0.4
G	5.0	±0.3
H	0.80	±0.1

2.Schematic Diagram



3.Material List

Core:FW44 PQ3225

Bobbin:FWB3202-1(6+6PIN)

Wire: TIW LITZ

Operating Temperature: -30 to115 °C

4.Electrical Specification

Inductance : L(2-3):1.5mH±5% 40KHZ , 1.0V

Leakage Inductance : 39uH MAX 40KHZ , 1.0V

DCR : (2-3)=0.562Ω MAX (7-9)=37.8mΩ MAX

Hi-Pot:P-S: AC 60Hz 4000V 1mA 3S

P-CORE: AC 60Hz 4000V 1mA 3S

REV.	DATE	<p>Convention Placement</p>	DRW.	Drawing Title:	Part No:		
0	00/00		CHK.			TRANSFORMER	FWPTPQ3225V152J
			APP.			Customer P/N	Specification Sheet 1of 1
ROHS		www.fosopower.com					