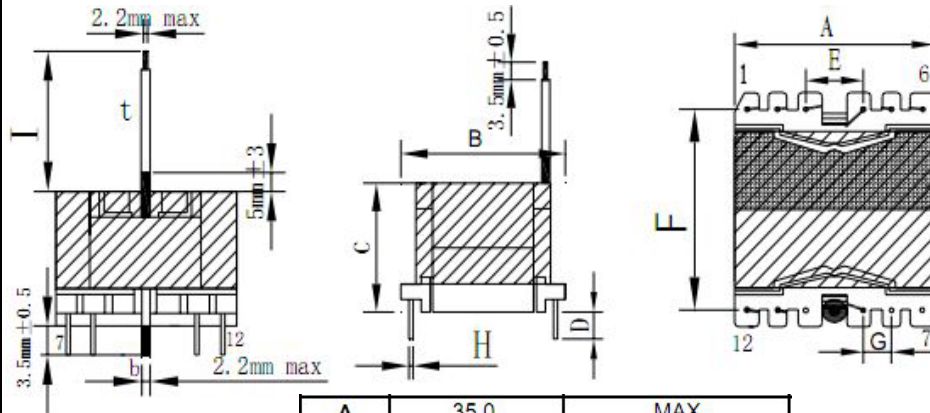


CUSTOMER TERMINAL	ROHS	Lead(Pb)-free
	YES	YES

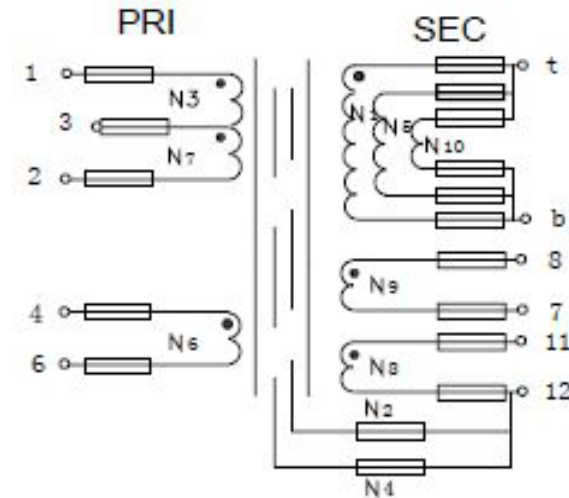


### 1.Mechanical Dimensions



A	35.0	MAX
B	35.0	MAX
C	23.5	MAX
D	3.5	±0.5
E	7.6	±0.3
F	30.0	±0.4
G	5.0	±0.3
H	0.80	±0.1
I	45.0	±2.0

### 2.Schematic Diagram



### 3.Material List

Core:FW44 PQ3220

Bobbin:FWB3201-1(6+6PIN)

Wire:2UEW TIW

Copper foil:0.025t\*8.0mm

Operating Temperature: -30 to115 °C

### 4.Electrical Specification

Inductance : L(1-2):0.7mH±5% 30KHZ , 1.0V

Leakage Inductance : 10uH MAX 30KHZ , 1.0V

DCR : (1-2)=0.526Ω MAX (B-T)=53.4mΩ MAX

Hi-Pot:P-S: AC 60Hz 4000V 2mA 3S

S-CORE: AC 60Hz 500V 2mA 3S

REV.	DATE	<p>Convention Placement</p>	DRW.	<p>Drawing Title:</p> <p><b>TRANSFORMER</b></p> <p>Customer P/N</p>	Part No:
0	00/00		CHK.		FWPTPQ3220V701J-4
<p><b>ROHS</b></p> <p>www.fosopower.com</p>			APP.		Specification Sheet 1of 1