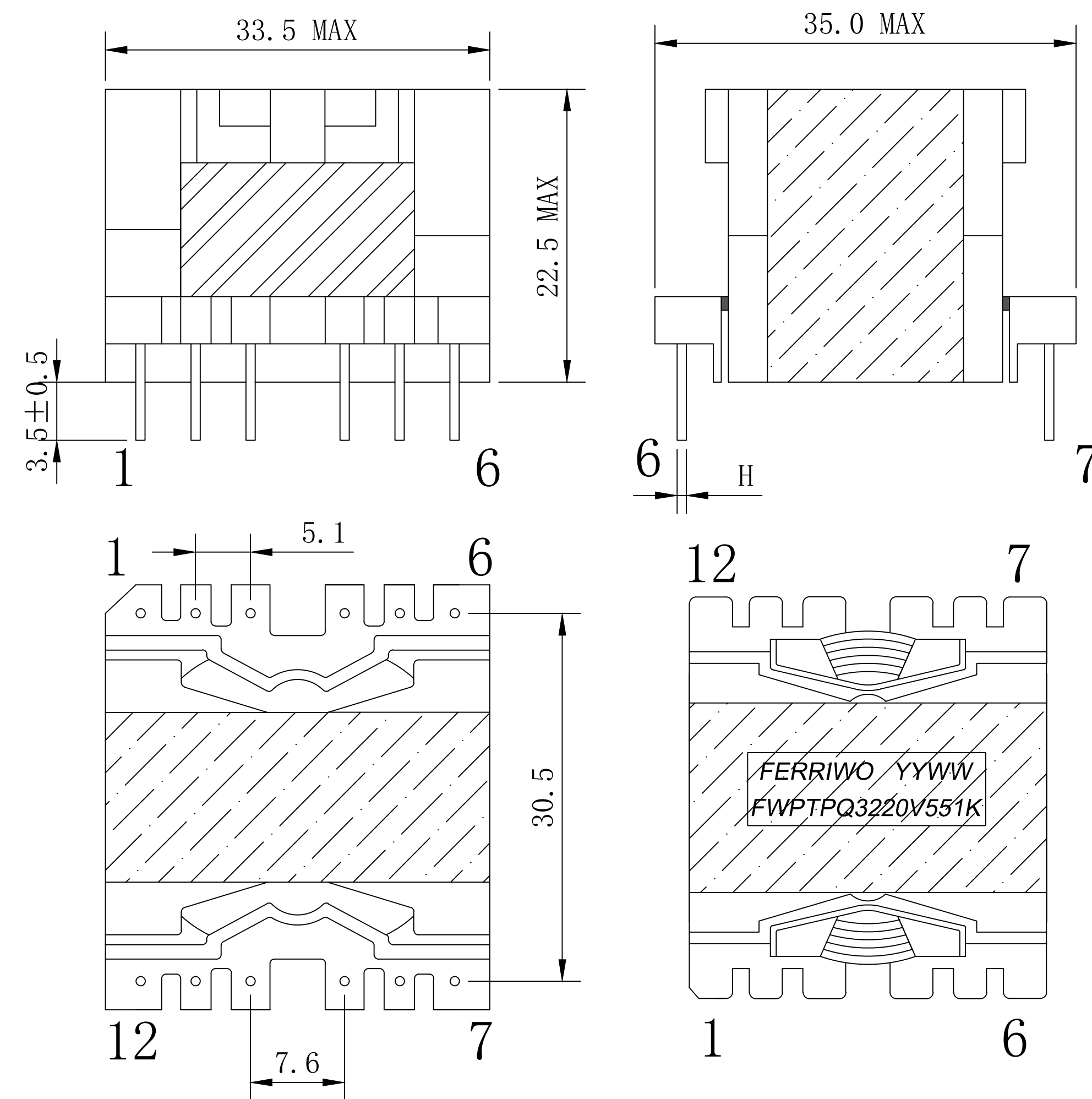
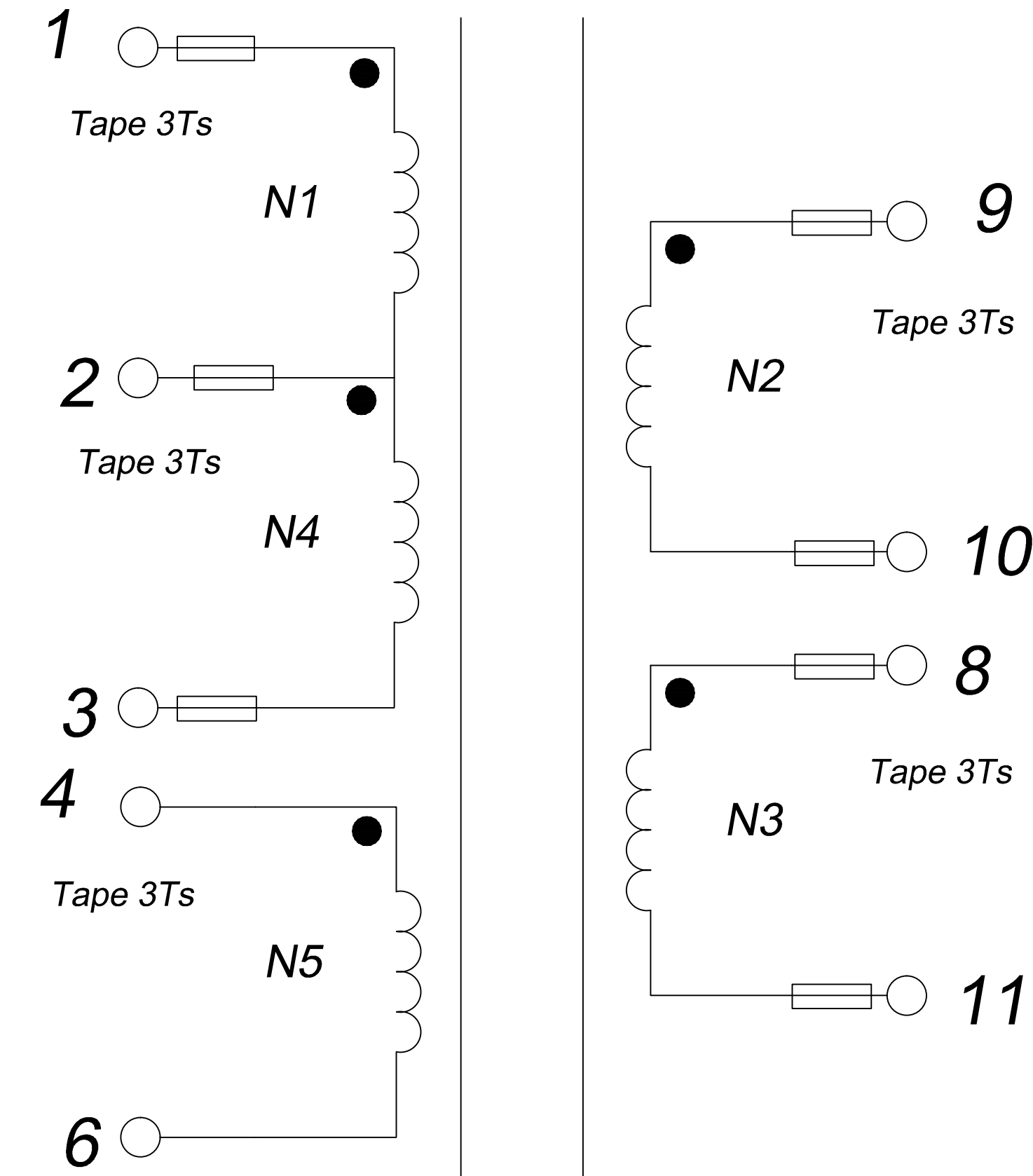


CUSTOMER TERMINAL	ROHS	Lead (Pb) -free
	YES	YES

### 1. Mechanical Dimensions



### 2. Schematic Diagram



### 3. Material List

Core:FW95-PQ3220  
 Bobbin:FWB3201(6+6PIN)  
 Wire:2UEW-0.12/0.35/0.4mm 130°C  
 Tube: TFL tube  
 Operating Temperature: -40 to 85°C

### 4. Electrical Specification

Inductance:  $L(1-3)=550\mu H \pm 10\%$  1.0KHZ 1.0V  
 Hi-pot: N1,N5-N2,N3,N4= AC 2.0KV 3mA 10S

REV.	DATE	 Convention Placement	DRW.	Drawing Title: <b>TRANSFORMER</b>	Part No:
0	00/01		CHK.		Customer P/N:
		www.fosopower.com	APP.		Specification Sheet 1 of 1