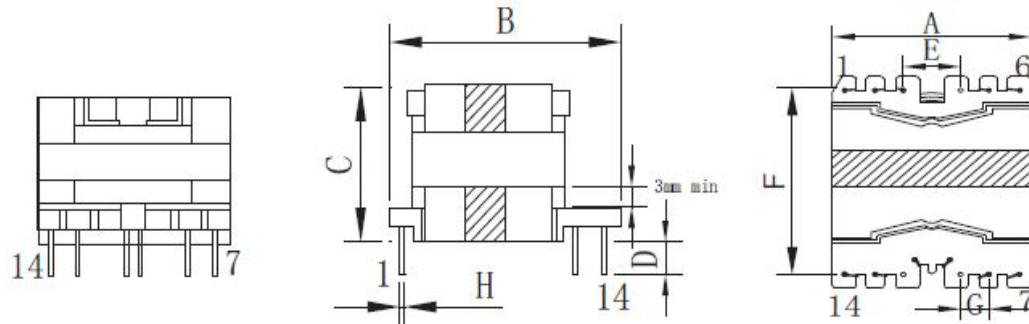


CUSTOMER TERMINAL	ROHS	Lead(Pb)-free
	YES	YES

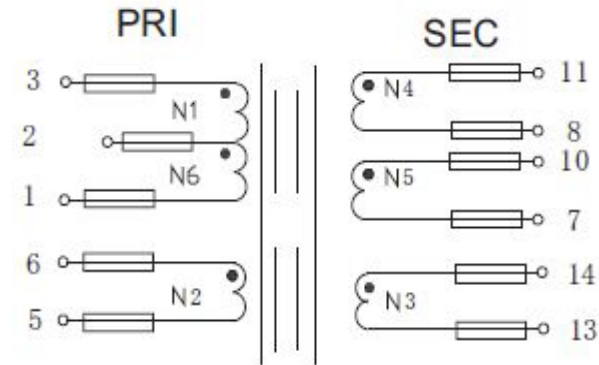


### 1.Mechanical Dimensions



A	29.0	MAX
B	35.0	MAX
C	26.5	MAX
D	3.5	±0.5
E	7.6	±0.3
F	29.5	±0.4
G	3.8	±0.3
H	0.60	±0.1

### 2.Schematic Diagram



### 3.Material List

Core:FW44 PQ2625  
 Bobbin:FWB2602(6+6PIN)  
 Wire:2UEW TIW  
 Copper foil: 0.025t\*8.0mm  
 Operating Temperature: -30 to115 °C

### 4.Electrical Specification

Inductance: L(1-3):900uH±5% 50KHZ , 1V  
 Leakage Inductance : 6uH MAX 50KHZ , 1V  
 DCR:(1-3)=196.8mΩMAX (11-8)=33.6mΩMAX  
 Hi-Pot:P-S: AC 60Hz 4000V 1.0mA 3S  
 S-CORE: AC 60Hz 4000V 1.0mA 3S

REV.	DATE	 Convention Placement	DRW.	Drawing Title:  <b>TRANSFORMER</b>	Part No:  FWPTPQ2625V901J
0	00/00		CHK.		
			APP.		
<b>ROHS</b>		<a href="http://www.fosopower.com">www.fosopower.com</a>	Customer P/N	Specification Sheet 1of 1	