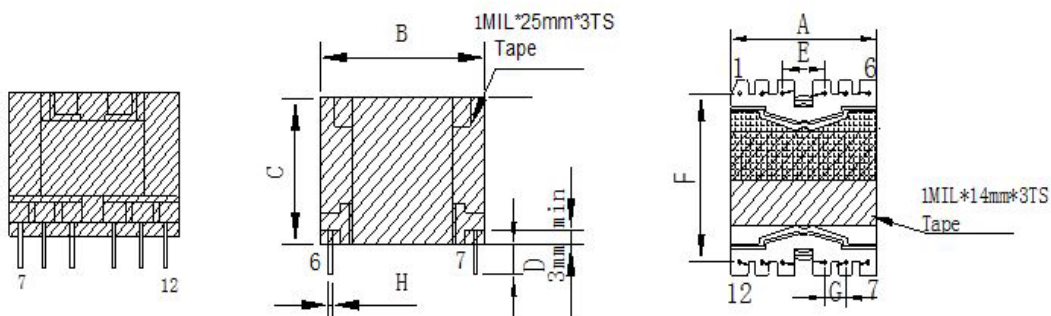


CUSTOMER TERMINAL	ROHS	Lead(Pb)-free
	YES	YES



### 1.Mechanical Dimensions

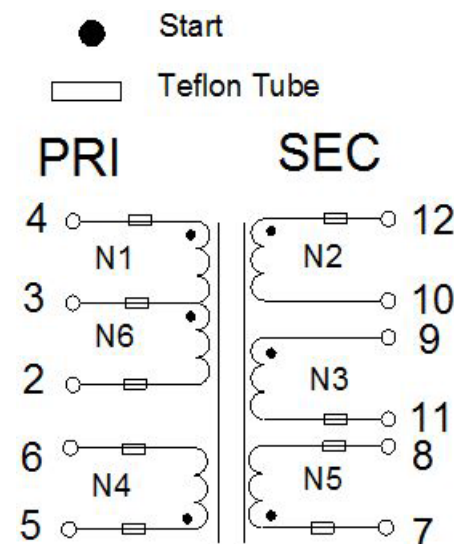


<b>A</b>	29.0	MAX
<b>B</b>	31.0	MAX
<b>C</b>	26.5	MAX
<b>D</b>	3.5	±0.3
<b>E</b>	7.6	±0.1
<b>F</b>	25.4	±0.1
<b>G</b>	3.8	±0.1
<b>H</b>	0.60	±0.1

### 3.Material List

Core:FW44 PQ2625  
 Bobbin:FWB2602(6+6PIN)  
 Wire:2UEW TIW LITZ  
 Operating Temperature: -30 to115 °C

### 2.Schematic Diagram



### 4.Electrical Specification

Inductance: L(4-2):800uH±5% 40KHZ , 1V  
 Leakage Inductance : 8uH MAX 40KHZ , 1V  
 DCR: (2-4)=0.34ΩMAX (12-10,11-9):0.043ΩMAX  
 Hi-Pot:P-S: AC 60Hz 4000V 1.0mA 3S  
 P-CORE: AC 60Hz 4000V 1.0mA 3S

REV.	DATE	 Convention Placement	DRW.	Drawing Title:	Part No:		
0	00/00		CHK.			<b>TRANSFORMER</b>	FWPTPQ2625V801J-4
			APP.			Customer P/N	Specification Sheet 1of 1
<b>ROHS</b>		www.fosopower.com					