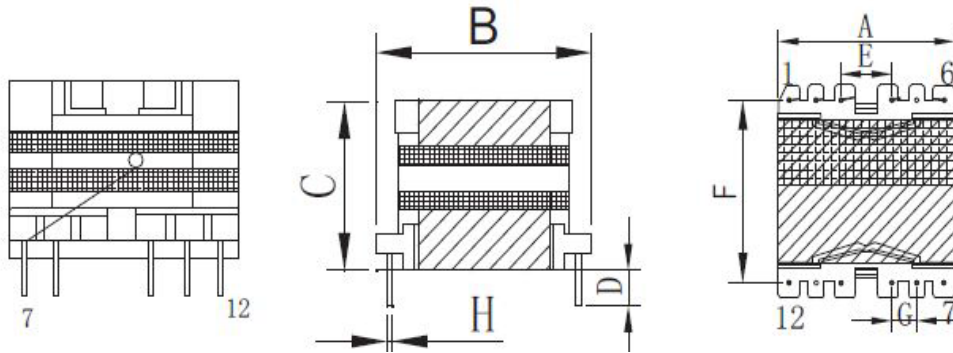


CUSTOMER TERMINAL	ROHS	Lead(Pb)-free
	YES	YES

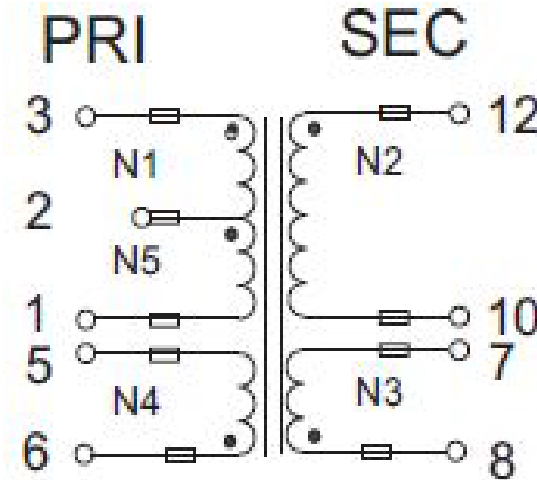


1.Mechanical Dimensions



A	29.5	MAX
B	30.5	MAX
C	26.5	MAX
D	3.5	±0.5
E	7.6	±0.3
F	25.4	±0.5
G	3.8	±0.3
H	0.60	±0.1

2.Schematic Diagram



3.Material List

Core:FW44 PQ2625

Bobbin:FWB2602(6+6PIN)

Wire:2UEW TIW LITZ

Copper foil: 0.025t*8.0mm

Operating Temperature: -30 to115 °C

4.Electrical Specification

Inductance: L(3-1):750uH±5% 60KHZ 、 1V

Leakage Inductance : 4.8uH MAX 60KHZ 、 1V

DCR:(1-3)=356.4mΩMAX (10-12)=200.6mΩMAX

Hi-Pot:P-S: AC 60Hz 4000V 1.0mA 3S

S-CORE: AC 60Hz 500V 1.0mA 3S

REV.	DATE	<p>Convention Placement</p>	DRW.	Drawing Title: TRANSFORMER	Part No: FWPTPQ2625V751J-5
0	00/00		CHK.		
			APP.		
ROHS		www.fosopower.com	Customer P/N	Specification Sheet 1of 1	