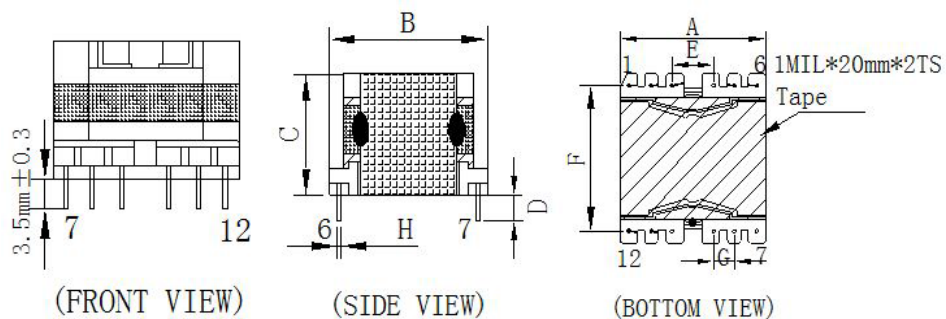


CUSTOMER TERMINAL	ROHS	Lead(Pb)-free
	YES	YES



1.Mechanical Dimensions

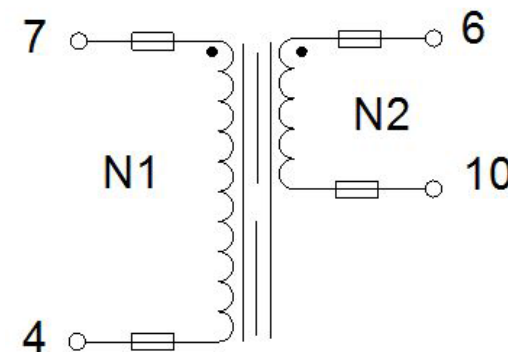


A	29.0	MAX
B	30.0	MAX
C	26.5	MAX
D	3.5	±0.3
E	7.5	±0.1
F	25.5	±0.1
G	3.0	±0.1
H	0.75	±0.1

3.Material List

Core:FW44 PQ2625
 Bobbin:FWB2602(6+6PIN)
 Wire:2UEW TIW
 Copper foil: 0.025t*8.0/18.0mm
 Operating Temperature: -30 to115 °C

2.Schematic Diagram



4.Electrical Specification

Inductance: L(7-4):350uH±5% 40KHZ 、 1V
 DCR:(7-4)=0.3ΩMAX
 Hi-Pot:N1-N2: DC 60Hz 500V 1.0mA 3S

REV.	DATE	 Convention Placement	DRW.	Drawing Title:	Part No:		
0	00/00		CHK.			TRANSFORMER	FWPTPQ2625V351J
			APP.			Customer P/N	Specification Sheet 1of 1
ROHS		www.fosopower.com					