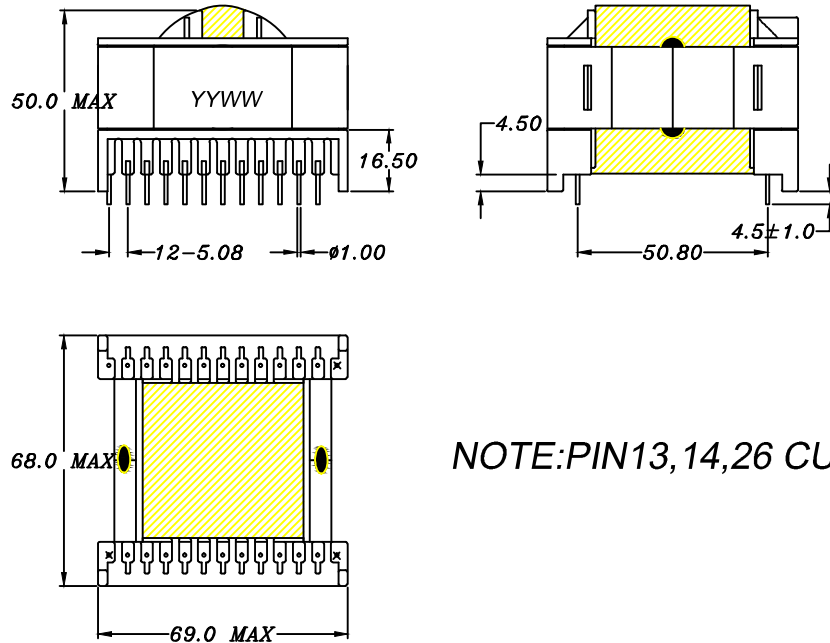


CUSTOMER TERMINAL	ROHS	Lead (Pb) -free
	YES	YES

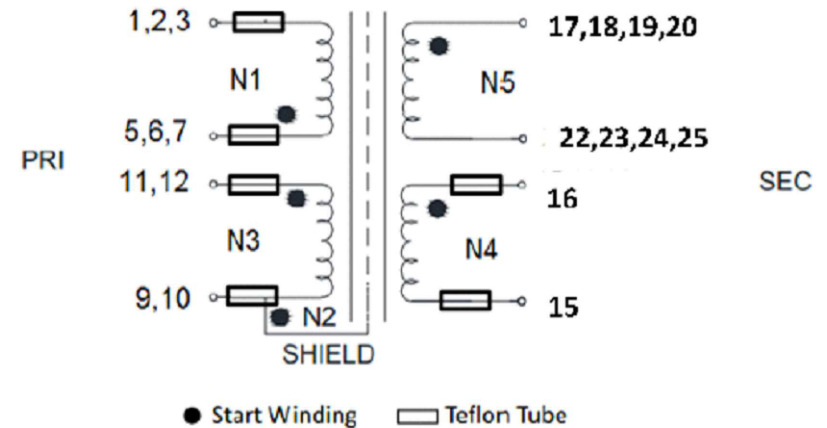


## 1. Mechanical Dimensions



NOTE: PIN13,14,26 CUT OFF

## 2. Schematic Diagram



## 3. Material List

Core: FW40-ETD59  
 Bobbin: FWB5901  
 Copper foil:  
 Wire: LITZ  
 EPOXY: E500  
 Varnish: T-4260

## 4. Electrical Specification

Inductance:  $L(5,6,7-1,2,3) = 22.39\text{mH} \pm 10\%$  1KHZ 1V  
 HI-pot: P,S-core AC1600V50HZ2mA2s  
 P-S AC1600V50HZ2mA2s

REV.	DATE	 Convention Placement	DRW.	Drawing Title: <b>TRANSFORMER</b> Customer P/N:	Part No:
0	09/18		CHK.		FWPT ETD59H 222K
<b>RoHS</b>		<a href="http://www.fosopower.com">www.fosopower.com</a>	APP.		Specification Sheet 1 of 1