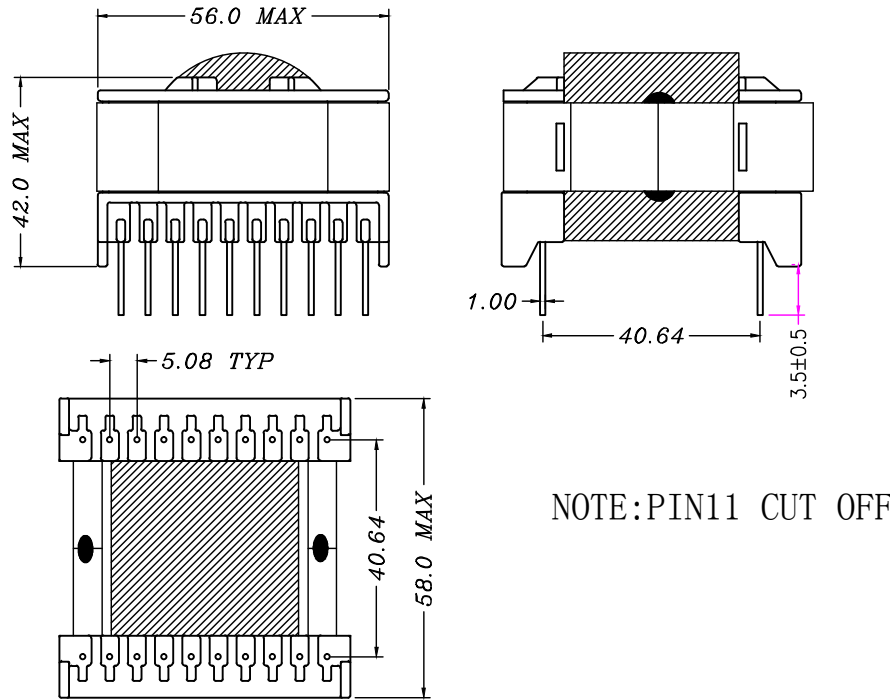


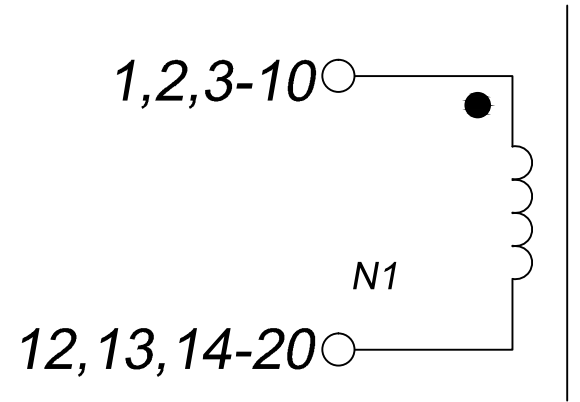
CUSTOMER TERMINAL	ROHS	Lead (Pb) -free
	YES	YES



1. Mechanical Dimensions



2. Schematic Diagram



3. Material List

Core:FW40-ETD49
 Bobbin:FWB4904
 Copper foil:0.3t*22.0mm
 EPOXY:E500
 Varnish: T-4260

4. Electrical Specification

Inductance: $L(1,2..10-12,13...20)=51.2\mu H \pm 10\%$ 1KHZ 1V
 HI-pot: coil-core AC500V50HZ1mA3s

REV.	DATE	 Convention Placement	DRW.	Drawing Title: TRANSFORMER	Part No:
0	09/18		CHK.		Customer P/N:
RoHS		www.fosopower.com	APP.		Specification Sheet 1 of 1