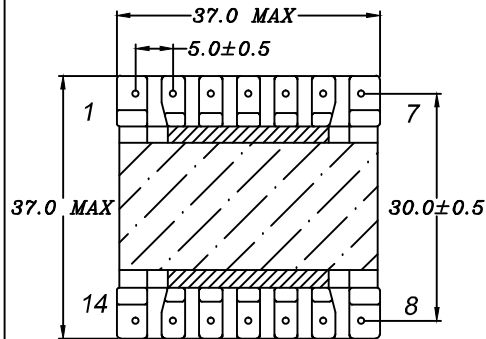
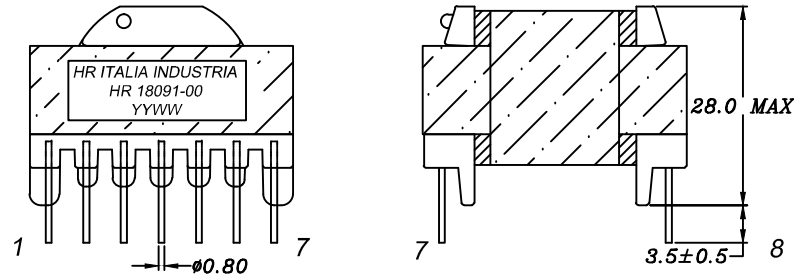


CUSTOMER TERMINAL	ROHS	Lead (Pb) -free
	YES	YES

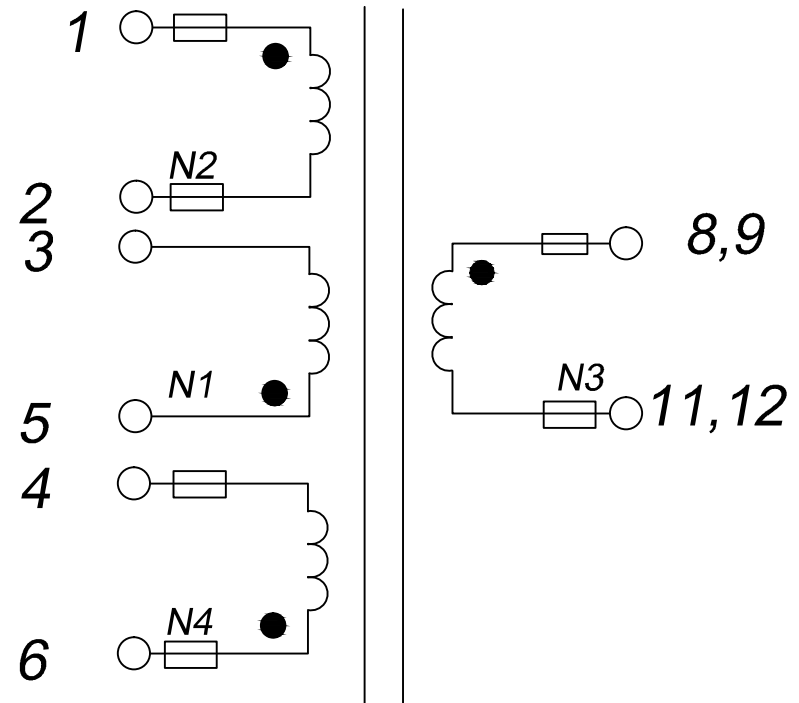


## 1. Mechanical Dimensions



Note: PIN7,10,13,14 cut off

## 2. Schematic Diagram



## 3. Material List

Core:FW40-ETD34/34/11

Bobbin:FWB3402 (7+7PIN)

Wire:2UEW-0.4/0.71mm 130°C

Operating Temperature: -30 to 115°C

## 4. Electrical Specification

Inductance:  $L(6, 5-3, 4)=138\mu\text{H}\pm 10\%$  1KHZ 1V

DCR(6, 5-3, 4):80mΩ ref, DCR(1-2):22mΩ ref.

LK:  $L(6, 5-3, 4)=10\mu\text{H}$  MAX 100KHZ 1V  
short other pins

HI-POT: P-S AC 3750V 0.5mA 3SECONDS

REV.	DATE	 Convention Placement	DRW.	Drawing Title:	Part No:
0	00/00		CHK.		
		www.fosopower.com	APP.	Customer P/N:	Specification Sheet 1 of 1

