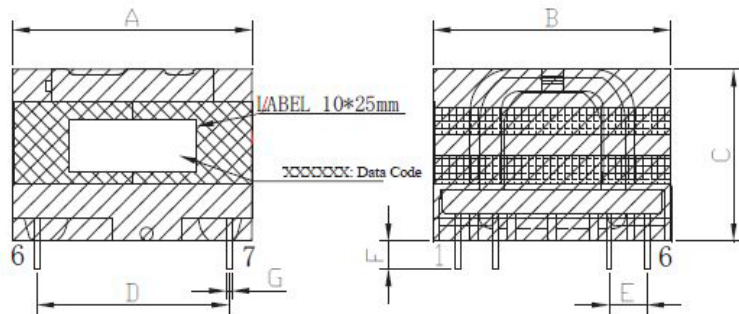


| | | |
|-------------------|------|---------------|
| CUSTOMER TERMINAL | ROHS | Lead(Pb)-free |
| | YES | YES |

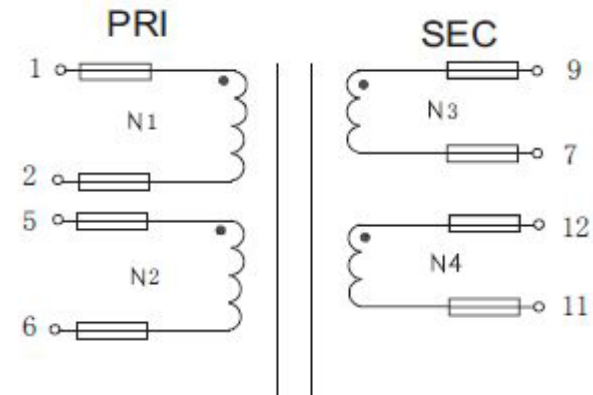
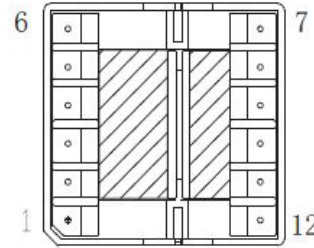


1.Mechanical Dimensions



| | | |
|---|------|------|
| A | 36.5 | MAX |
| B | 36.8 | MAX |
| C | 26.8 | MAX |
| D | 28.0 | ±0.4 |
| E | 5.5 | ±0.3 |
| F | 4.0 | ±0.5 |
| G | 0.8 | ±0.1 |

2.Schematic Diagram



3.Material List

Core:FW44 ETD34
 Bobbin:FWB3404(6+6PIN) FWB3404-1(COVER)
 Wire:LITZ TIW
 Copper foil:0.025t*10.0mm
 Operating Temperature: -30 to115 °C

4.Electrical Specification

Inductance : L(1-2):1.1mH±5% 50KHZ , 1.0V
 Leakage Inductance : 203uH±4% 50KHZ 、 1.0V
 DCR : (1-2)=280mΩ MAX (9-7)=330mΩ MAX
 Hi-Pot:P-S: AC 60Hz 4000V 1mA 3S
 P 、 S-CORE: AC 60Hz 2000V 1mA 3S

| | | | | | |
|-------------|-------|--------------------------|------|--|----------------|
| REV. | DATE | Convention Placement | DRW. | Drawing Title: TRANSFORMER | Part No: |
| 0 | 00/00 | | CHK. | | FWPTETD34H112J |
| | | | APP. | | Customer P/N |
| ROHS | | www.fosopower.com | | | |