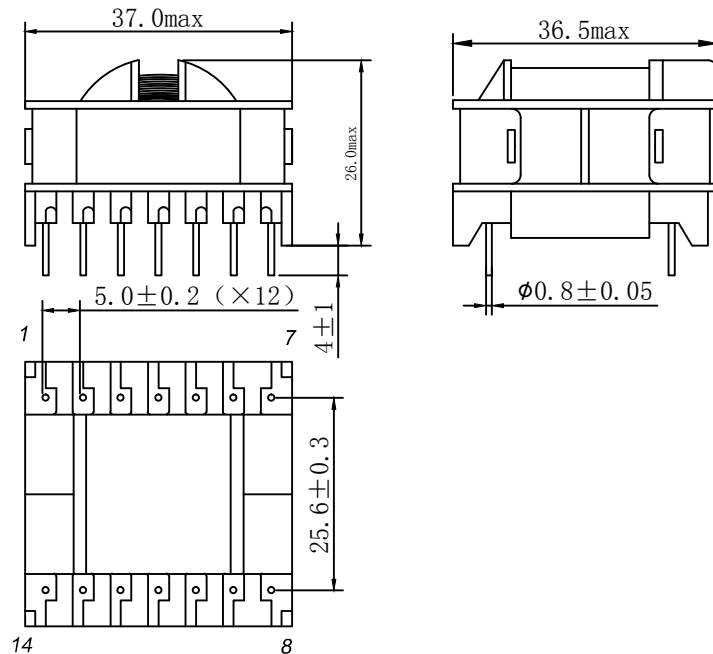


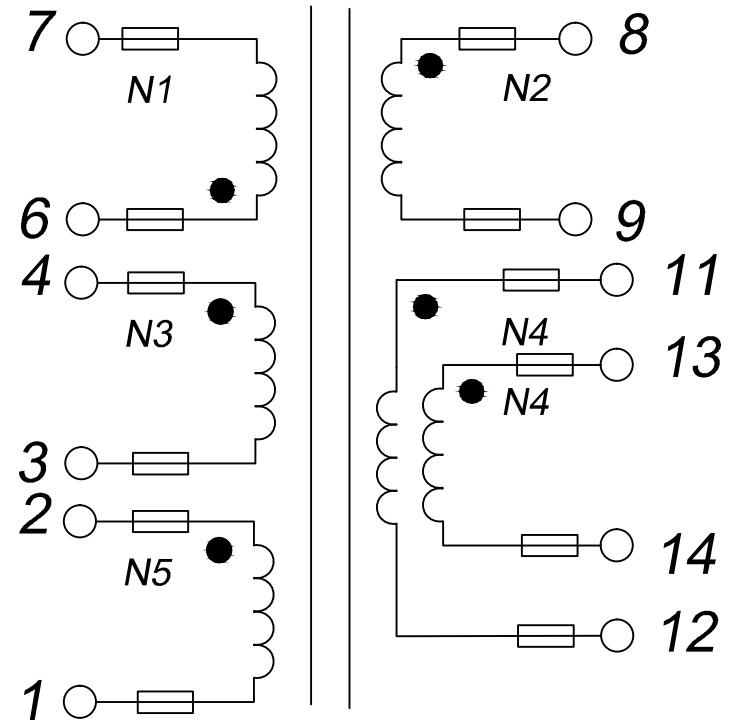
CUSTOMER TERMINAL	ROHS	Lead (Pb) -free
	YES	YES



### 1. Mechanical Dimensions



### 2. Schematic Diagram



### 3. Material List

Core:ETD29  
 Bobbin:ETD29 7+7PIN  
 Wire:LITZ 2UEW  
 Operating Temperature: -40 to 70°C

### 4. Electrical Specification

Inductance:  $L(6-7) = 4.59\text{mH} \pm 5\%$  1.0KHZ 1.0V  
 Leakage Inductance:  $LK(6-7) = 137.58\mu\text{H}(\text{ref})$   
 HI-POT: P-S AC1500V 5mA 3S  
 HI-POT:P,S-CORE AC500V 5mA 3S

REV.	DATE	 Convention Placement	DRW.	Drawing Title: <b>TRANSFORMER</b>	Part No:
0	08/11		CHK.		Customer P/N:
RoHS		www.fosopower.com	APP.		Specification Sheet 1 of 1