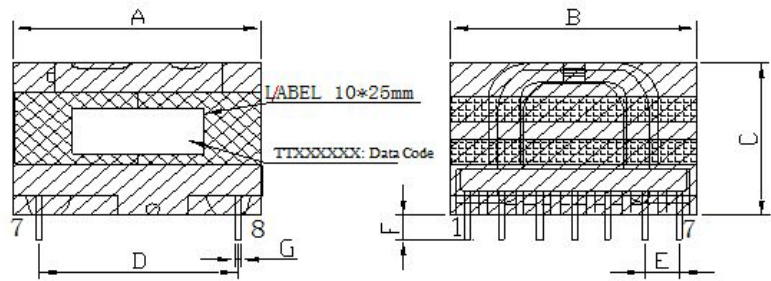


CUSTOMER TERMINAL	ROHS	Lead(Pb)-free
	YES	YES

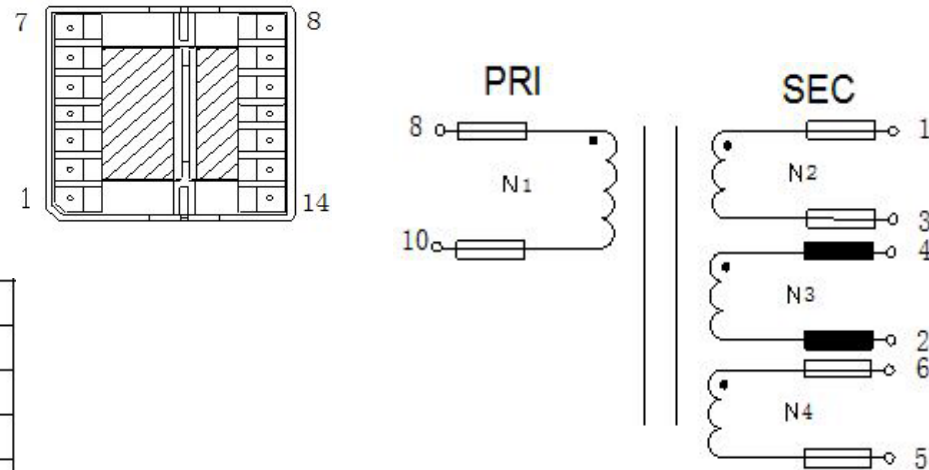


### 1.Mechanical Dimensions



<b>A</b>	46.5	MAX
<b>B</b>	37.8	MAX
<b>C</b>	27.8	MAX
<b>D</b>	37.0	±0.4
<b>E</b>	5.0	±0.3
<b>F</b>	3.5	±0.5
<b>G</b>	1.0	±0.1

### 2.Schematic Diagram



### 3.Material List

Core:KR4A EPR35  
 Bobbin:ER3508(7+7PIN) 3508-1(COVER)  
 Wire:LITZ TIW 2UEW  
 Copper foil:0.025t\*10.0mm  
 Operating Temperature: -30 to115 °C

### 4.Electrical Specification

Inductance :  $L(8-10):2.6mH \pm 5\%$  20KHZ , 1.0V  
 Leakage Inductance :  $800\mu H \pm 4\%$  20KHZ , 1.0V  
 DCR :  $(8-10)=1.1\Omega$  MAX  $(1-3)=19.3m\Omega$  MAX  
 Hi-Pot:P-S: AC 60Hz 4000V 1mA 3S  
 P 、 S-CORE: AC 60Hz 2000V 1mA 3S

REV.	DATE	 Convention Placement	DRW.	Drawing Title:	Part No:		
0	00/00		CHK.			<b>TRANSFORMER</b>	FWPTER35H262J
			APP.			Customer P/N	Specification Sheet 1of 1
<b>ROHS</b>		www.fosopower.com					