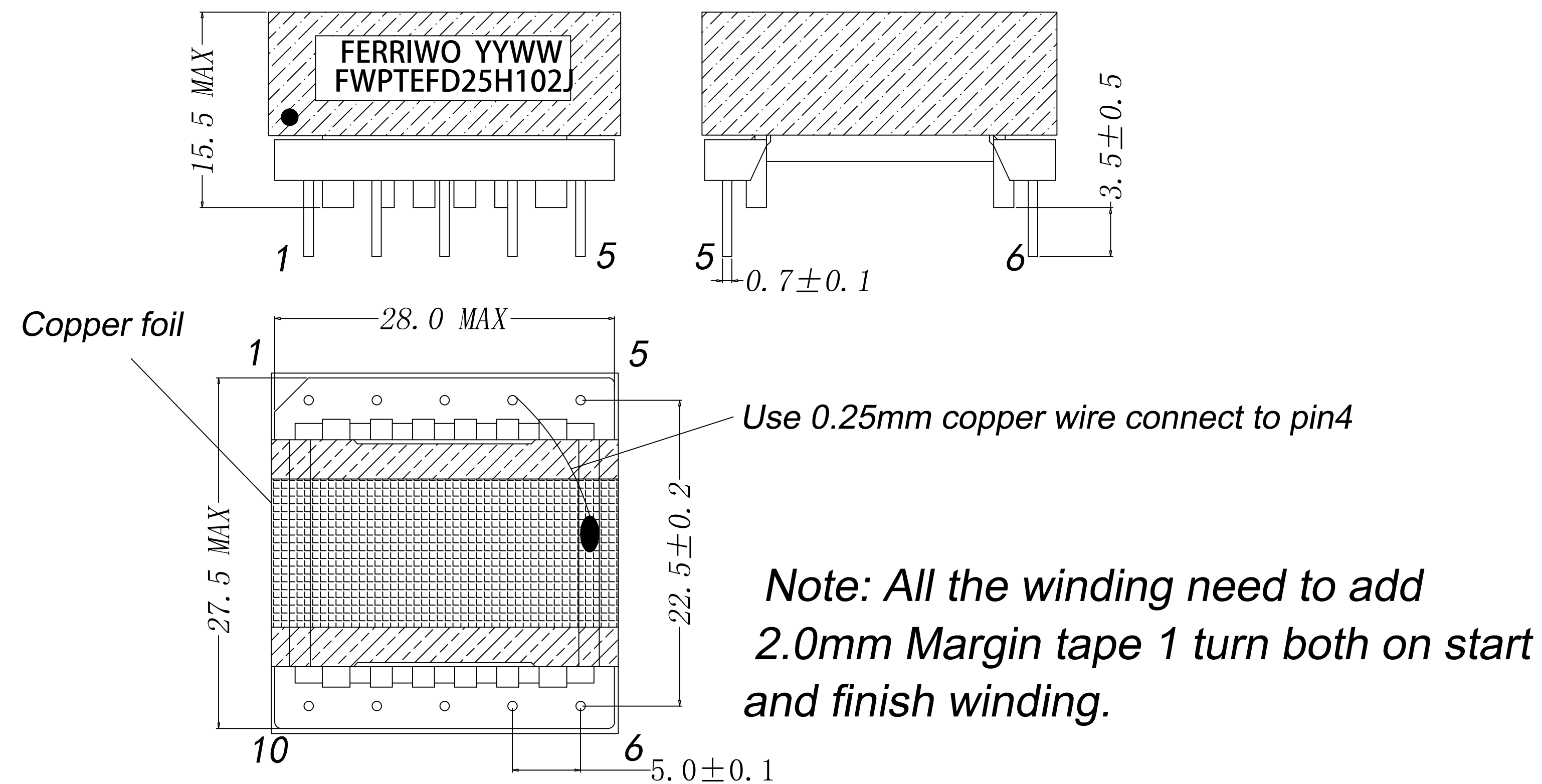


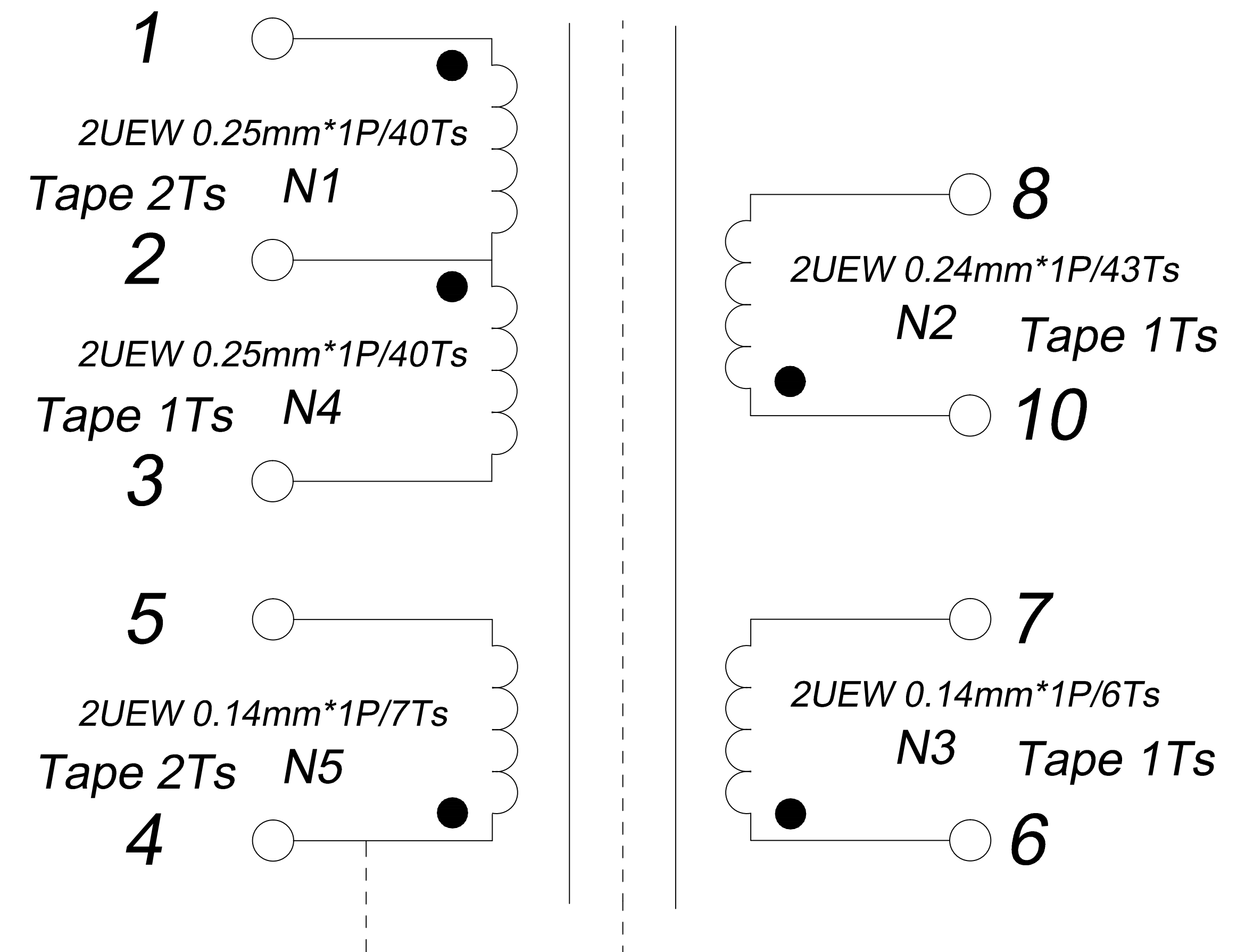
CUSTOMER TERMINAL	ROHS	Lead (Pb) -free
	YES	YES



1. Mechanical Dimensions



2. Schematic Diagram



3. Material List

Core:FW44-EFD25/25/9

Bobbin:FWB2506-1(5+5)

Wire:2UEW-0.14/0.24/0.25mm 155°C

Tape:CT280-25u WF-2901 130°C

Copper foil: 0.025t*10.0mm

Operating Temperature: -30 to 115°C

4. Electrical Specification

Inductance: $L(3-1) = 1.0\text{mH} \pm 5\%$ 1.0KHZ 1.0V

LK: $(3-1) = 60\mu\text{H MAX}$ 100KHZ 1.0V short other pins

DCR: $(3-1) = 1.5\Omega \text{ MAX}$ $(10-8) = 0.8\Omega \text{ MAX}$

HI-POT: P-S AC 2000V 3mA 2s

P、S-CORE AC 500V 3mA 2s

REV.	DATE	<p>Convention Placement</p>	DRW.		Drawing Title:	Part No:
0	00/00		CHK.		TRANSFORMER	FWPTEFD25H102J
		www.fosopower.com	APP.		Customer P/N: TTC42-0,35-122-01	Specification Sheet 1 of 1