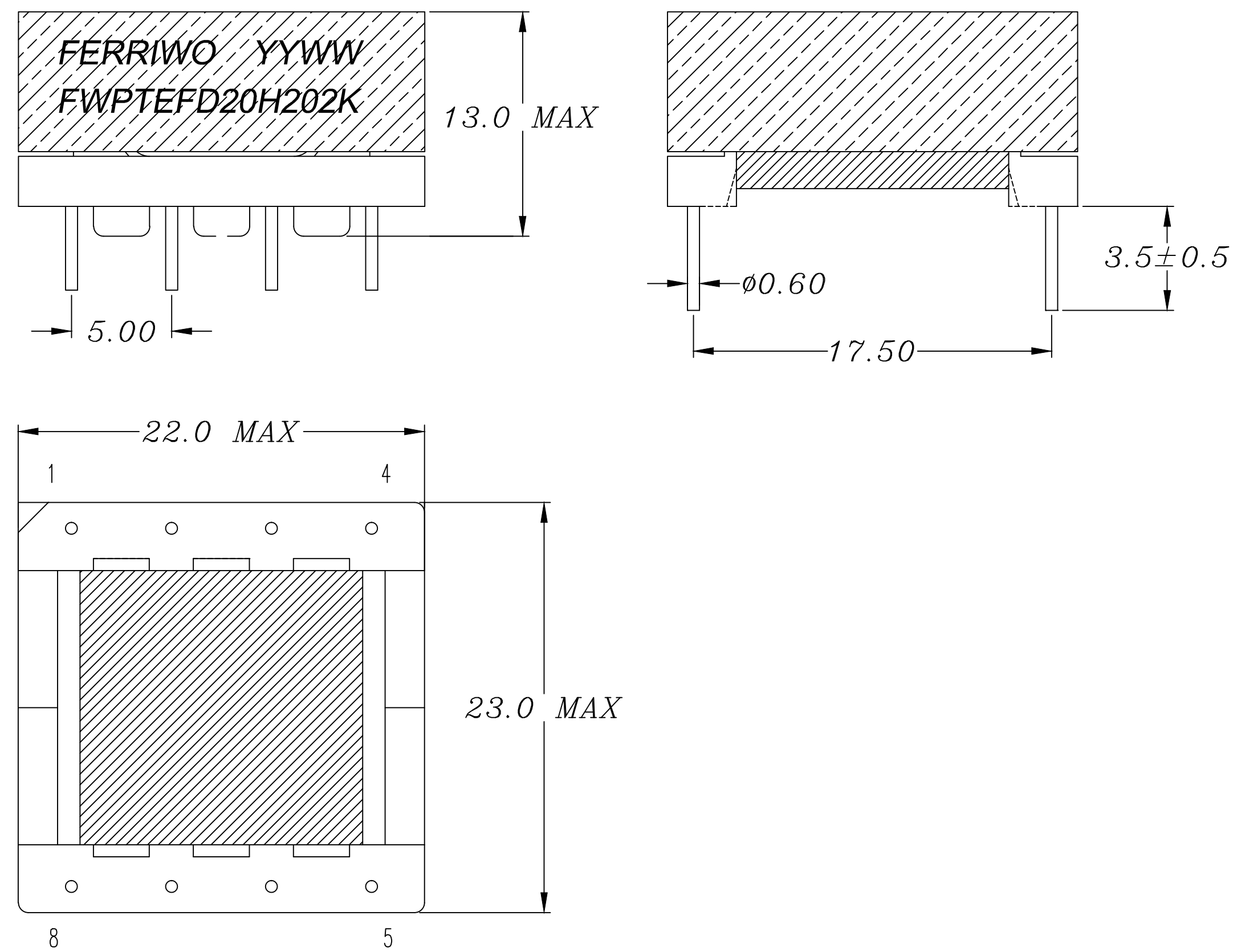
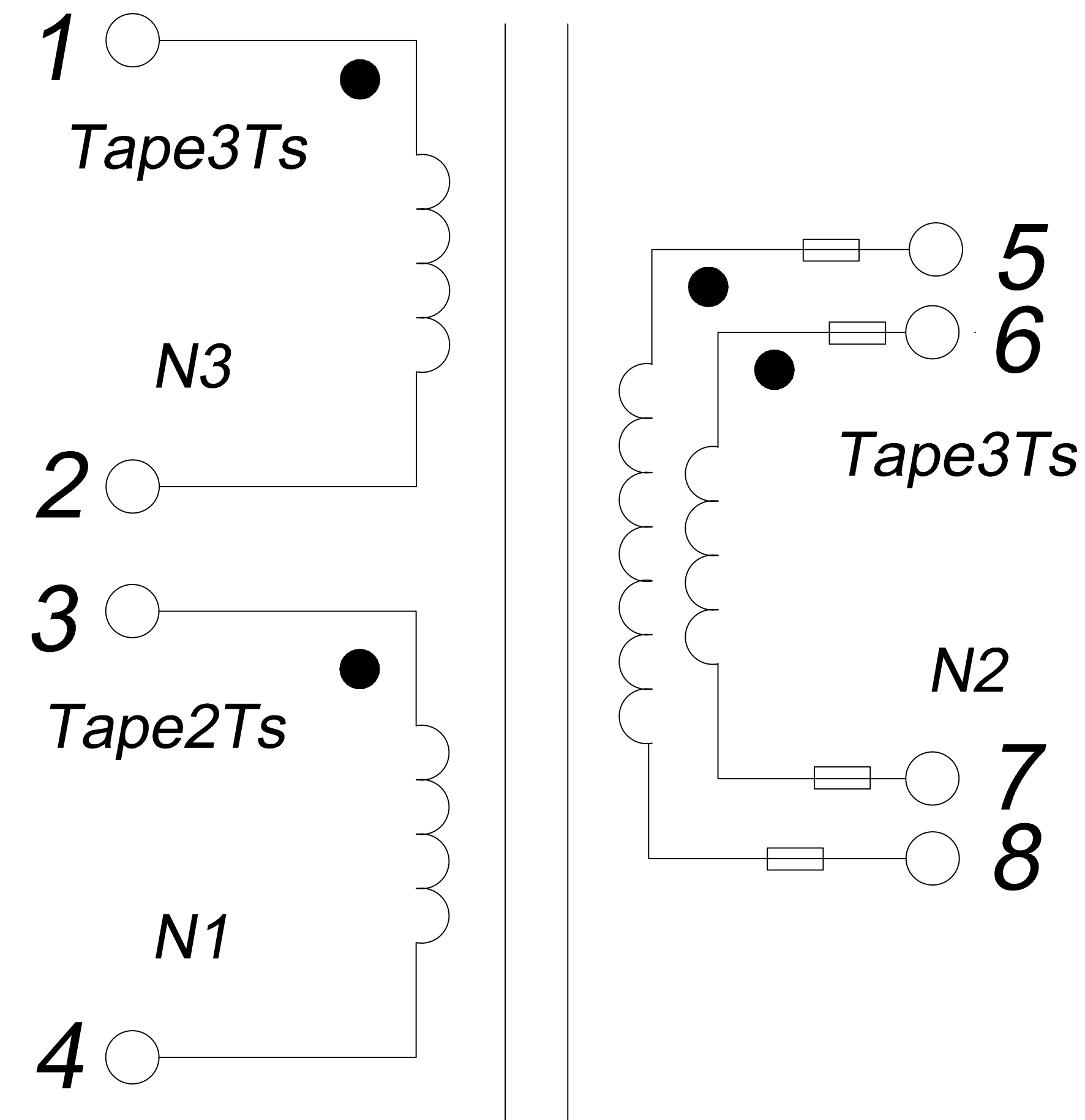


CUSTOMER TERMINAL	ROHS	Lead (Pb) -free
	YES	YES

1. Mechanical Dimensions



2. Schematic Diagram



3. Material List

Core:FW44-EFD20
 Bobbin:FWB2009
 Wire:2UEW-0.20mm TIW-B-0.60mm 130°C
 Operating Temperature: -30 to 115°C

4. Electrical Specification

Inductance: $L(3-4)=2.0\text{mH}\pm 10\%$ 1.0KHZ 1.0V
 LK: $L(3-4)=20\text{uH MAX}$ 100.0KHZ 1.0V
 Hi-pot: P-S AC 4500V 3mA 1S

REV.	DATE	 Convention Placement	DRW.	Drawing Title: TRANSFORMER Customer P/N:	Part No:
0	00/00		CHK.		FWPTEFD20H202K
		www.fosopower.com	APP.		Specification Sheet 1 of 1