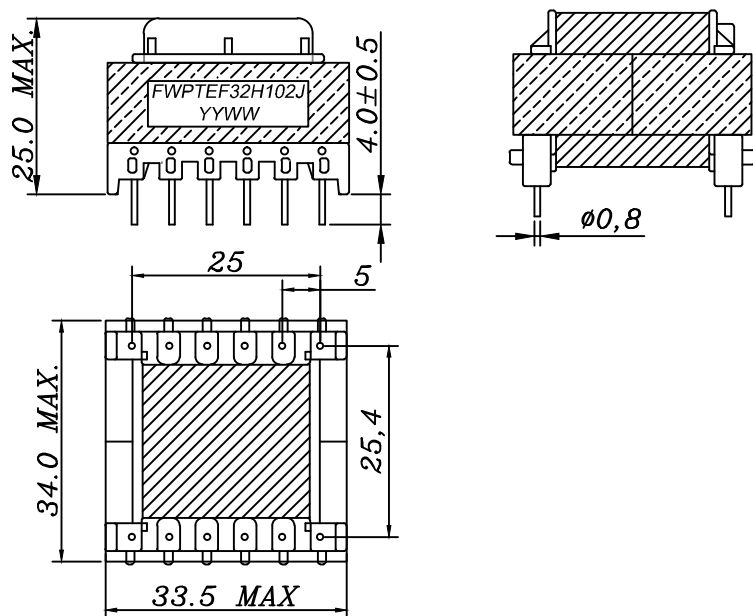


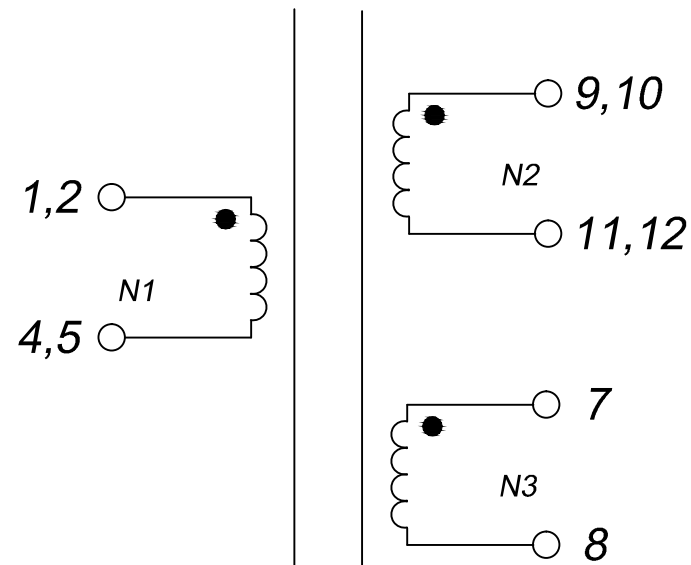
CUSTOMER TERMINAL	ROHS	Lead (Pb) -free
	YES	YES



## 1. Mechanical Dimensions



## 2. Schematic Diagram



## 3. Material List

Core: FW44-EE32/32/9  
 Bobbin: FWB3212(6+6)  
 Wire: 2UEW-0.60mm/0.21mm TIW-0.8mm  
 Tube: TFL TUBE  
 Operating Temperature: -30 to 115°C

## 4. Electrical Specification

Inductance:  $L(1-3) = 1.0\text{mH} \pm 5\%$  1.0KHZ 1.0V  
 HI-POT: P-S AC 4000V 2mA 3s  
 P, S-CORE AC 1000V 2mA 3s

REV.	DATE	 Convention Placement	DRW.	Drawing Title: <b>TRANSFORMER</b>	Part No:
0	06/01		CHK.		Customer P/N:
RoHS		www.fosopower.com	APP.		Specification Sheet 1 of 1