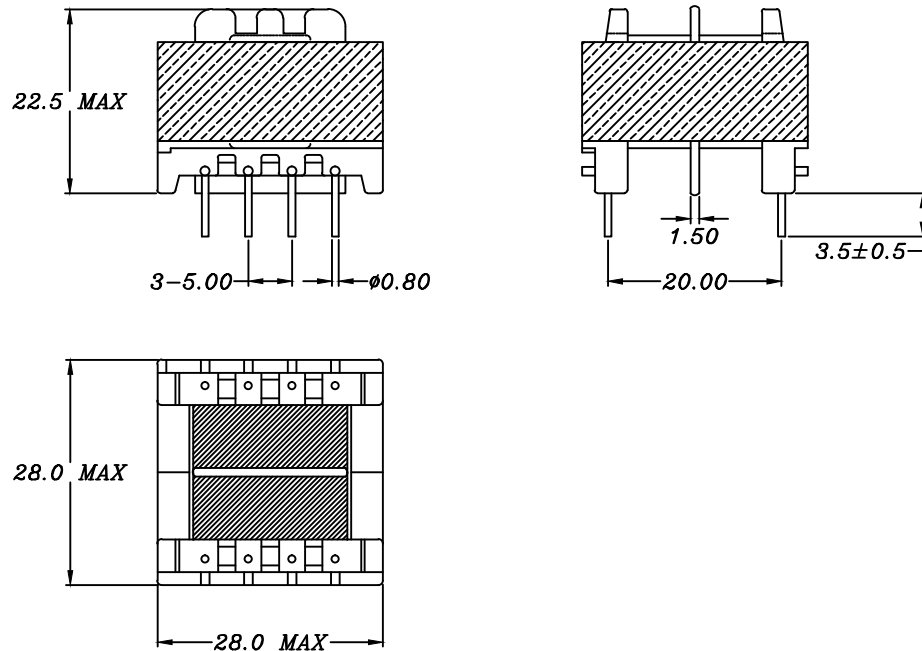


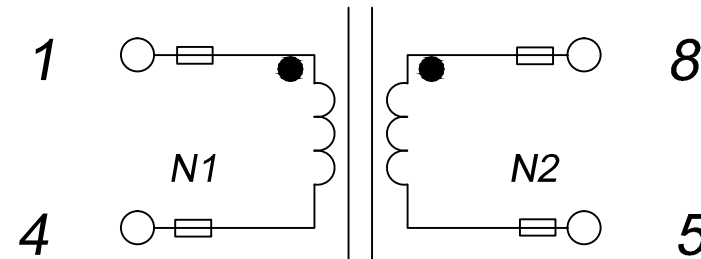
CUSTOMER TERMINAL	ROHS	Lead (Pb) -free
	YES	YES



1. Mechanical Dimensions



2. Schematic Diagram



3. Material List

Core:FW40-EE25/13/11
 Bobbin:FWB2507-2 (2+2pin)
 Wire:LIZE
 Operating Temperature: -30 to 115°C

4. Electrical Specification

Inductance: L(1-4)=1.27mH±5% 1.0KHZ 1.0V
 L(8-5)=4.71mH±5% 1.0KHZ 1.0V
 HI-POT: P-S AC 3000V 3mA 2S
 P,S-CORE AC 1500V 3mA 2S

REV.	DATE	 Convention Placement	DRW.	Drawing Title: TRANSFORMER	Part No:
0	00/00		CHK.		Customer P/N:
RoHS		www.fosopower.com	APP.		Specification Sheet 1 of 1