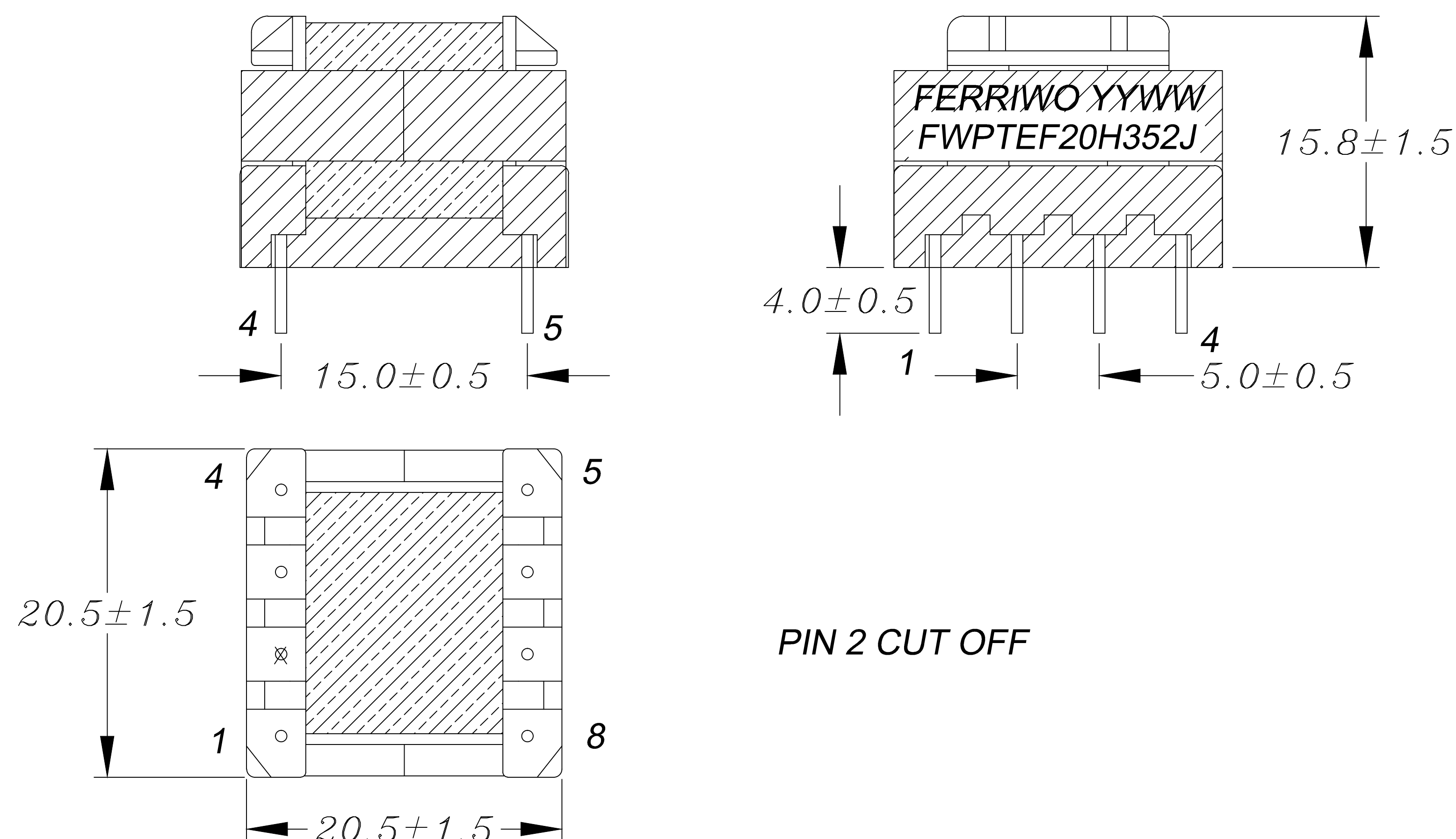


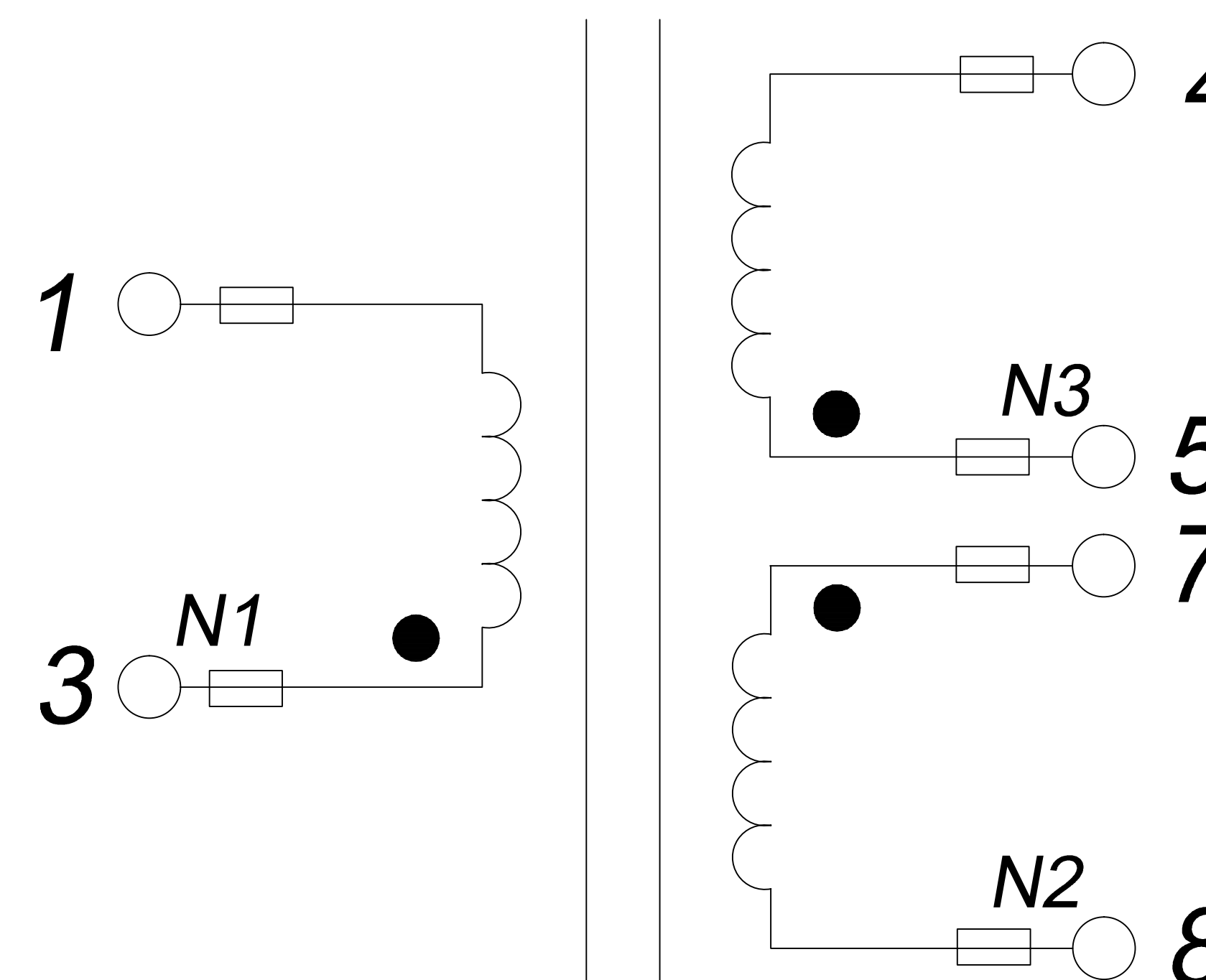
CUSTOMER TERMINAL	ROHS	Lead (Pb) -free
	YES	YES



1. Mechanical Dimensions



2. Schematic Diagram



3. Material List

Core:FW44-EE20/10/6
 BOBBIN:FWB2001-1 (4+4)
 Wire:2UEW-0.22/0.56mm 155°C
 Operating Temperature: -30 to 115°C

4. Electrical Specification

Inductance: $L(3-1)=3.55\text{mH} \pm 7\%$ 1KHZ 1V
 DCR: $(3-1)=2.8\Omega$ MAX
 Hi-pot: P-S AC 2.0V 2mA 2s
 P、S-CORE AC 1000V 2mA 2s

REV.	DATE	 Convention Placement	DRW.	Drawing Title: TRANSFORMER	Part No:
0	00/00		CHK.		Customer P/N:
		www.fosopower.com	APP.		Specification Sheet 1 of 1