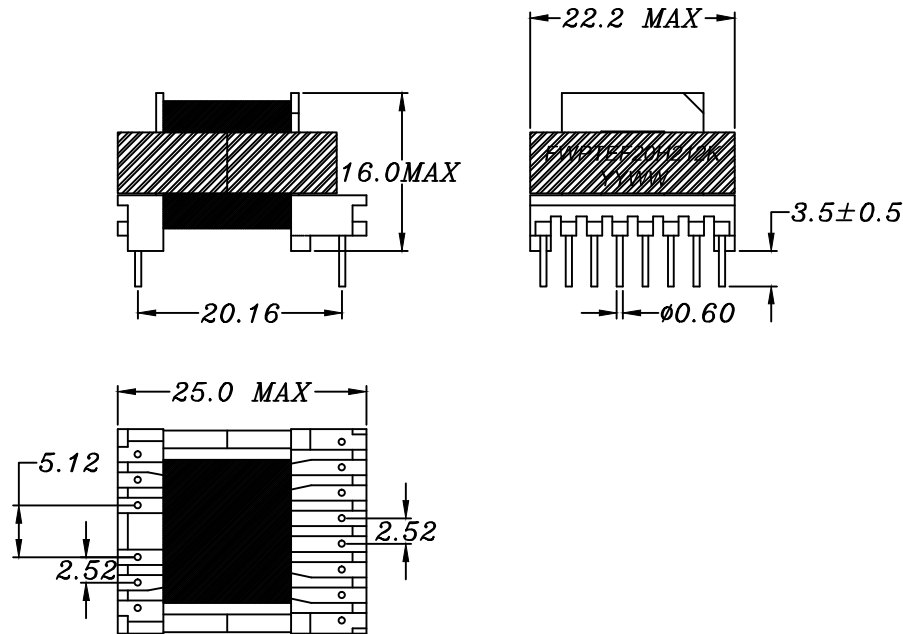


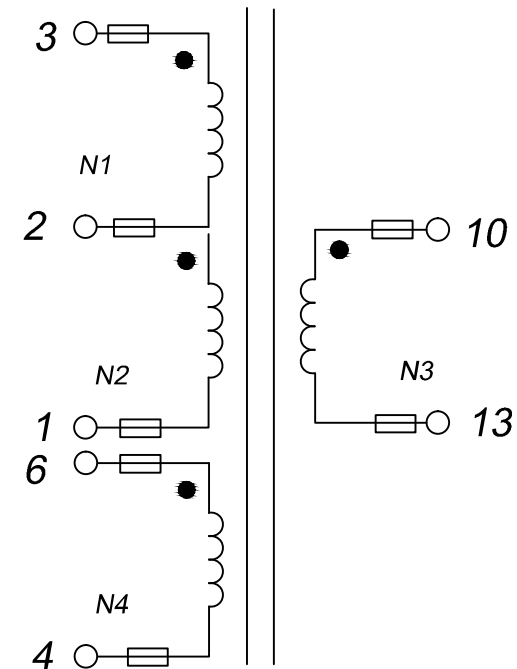
CUSTOMER TERMINAL	ROHS	Lead (Pb) -free
	YES	YES



1. Mechanical Dimensions



2. Schematic Diagram



3. Material List

Core:FW40-EE20/10/6

Bobbin:FWB2027 (6+8PIN)

Wire:2UEW-B-0.35/0.40mm 130°C TIW-B-0.45mm

Operating Temperature: -30 to 115°C

4. Electrical Specification

Inductance: $L(3-1) = 2.12\text{mH} \pm 10\% 10.0\text{KHZ } 0.1\text{V}$

HI-POT: P-S AC4500V5mA1seconds

P, S-CORE AC500V5mA3seconds

REV.	DATE	 Convention Placement	DRW.	Drawing Title: TRANSFORMER Customer P/N:	Part No:
0	00/00		CHK.		FWPTEF20H212K
RoHS		www.fosopower.com	APP.		Specification Sheet 1 of 1