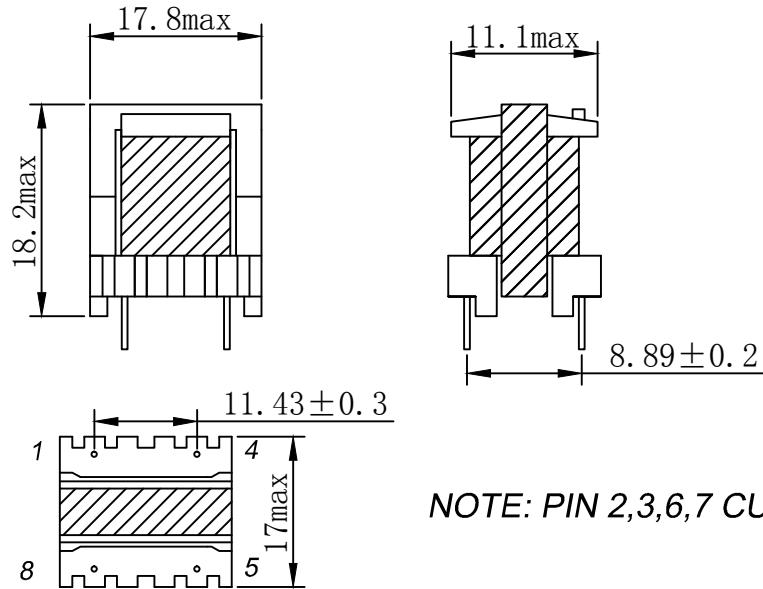


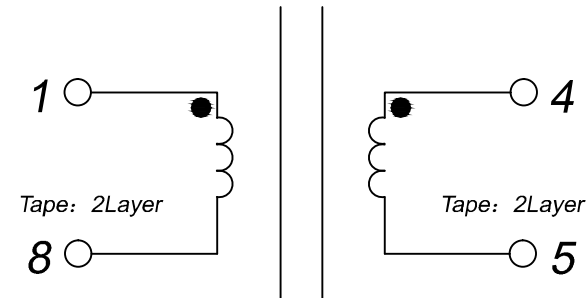
CUSTOMER TERMINAL	ROHS	Lead (Pb) -free
	YES	YES



1. Mechanical Dimensions



2. Schematic Diagram



3. Material List

Core:EE16 FW40

Bobbin:EE16 4+4PIN

Wire:TIW

Operating Temperature: -40 to 115°C

4. Electrical Specification

Inductance: L (8-1) =45uH±5% 1.0KHZ 1.0V

Inductance: L (4-5) =45.6uH±5% 1.0KHZ 1.0V

Hi-pot: P to S: AC50HZ4000V 3mA 60S

coil to core: AC50HZ500V 3mA 60S

REV.	DATE	 Convention Placement	DRW.	Xia xiaokai	Drawing Title: TRANSFORMER	Part No:
0	03/21		CHK.	Pan yucai		FWPT EF16V 451K
RoHS		www.fosopower.com	APP.	Zhu Kan	Customer P/N:	Specification Sheet 1 of 1