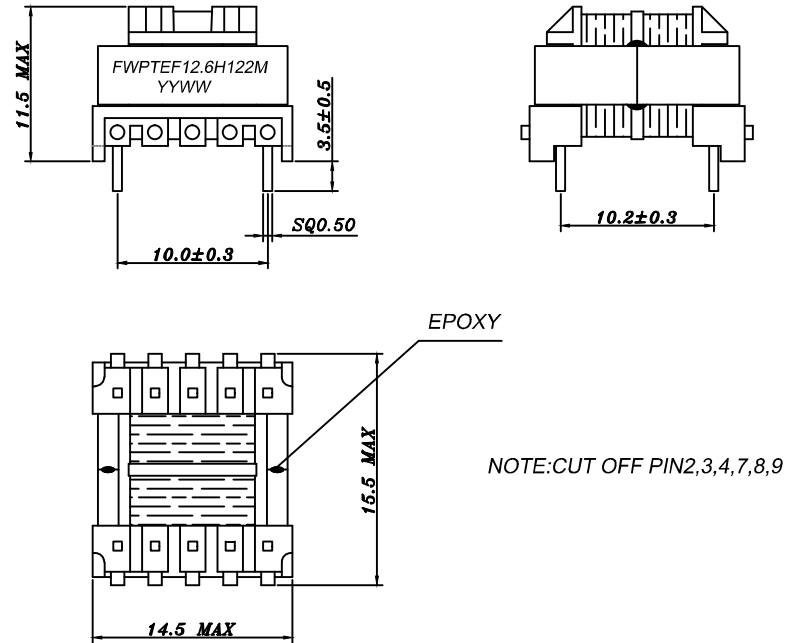


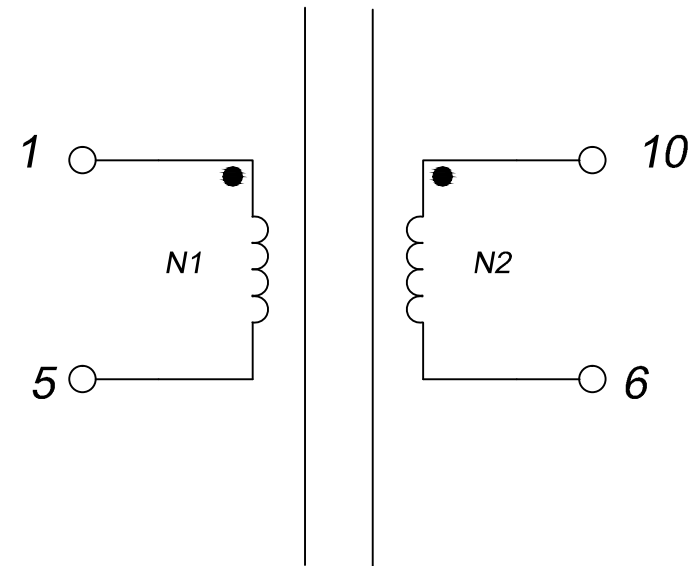
CUSTOMER TERMINAL	ROHS	Lead (Pb) -free
	YES	YES



1. Mechanical Dimensions



2. Schematic Diagram



3. Material List

Core:FW40-EF12.6
 Bobbin:EF12.6-1211-1
 Wire:2UEW-0.18mm 155°C
 Operating Temperature: -30 to 115°C

4. Electrical Specification

Inductance: $L(1-5) = (10-6) = 12.0\text{mH} \pm 30\%$ 10KHZ 0.05V
 Hi-pot: P-S=AC0.5KV 2S 3mA 50Hz

REV.	DATE	 Convention Placement	DRW.	Drawing Title: TRANSFORMER Customer P/N:	Part No:
0	06/01		CHK.		FWPTTEF12.6H122M
RoHS		www.fosopower.com	APP.		Specification Sheet 1 of 1