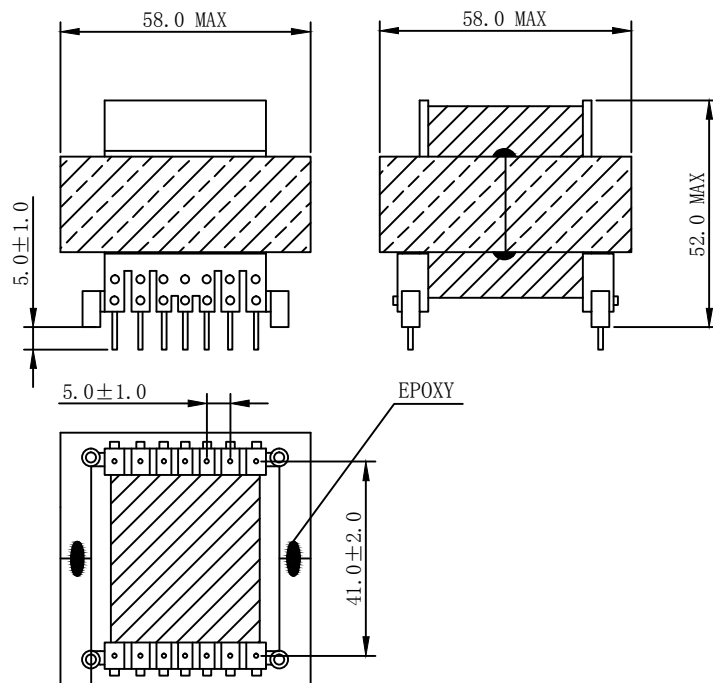


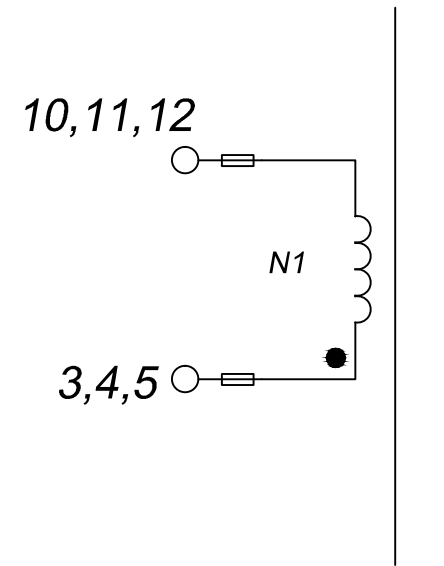
CUSTOMER TERMINAL	ROHS	Lead (Pb) -free
	YES	YES



### 1. Mechanical Dimensions



### 2. Schematic Diagram



### 3. Material List

Core:FW 40 EE55B  
 Bobbin:EE55 7+7PIN  
 Wire:LITZ  
 Tube:TFL TUBE  
 Operating Temperature: -30 to 115°C

### 4. Electrical Specification

Inductance:  $L (3,4,5-10,11,12) = 220\mu H \pm 10\% 1.0KHZ 1.0V$   
 HI-POT: COIL-CORE AC 1000V 5mA 3seconds

REV.	DATE	 Convention Placement	DRW.	Drawing Title: <b>TRANSFORMER</b> Customer P/N:	Part No:
0	08/18		CHK.		FWPTEE55H221K
<b>RoHS</b>		<a href="http://www.fosopower.com">www.fosopower.com</a>	APP.		Specification Sheet 1 of 1