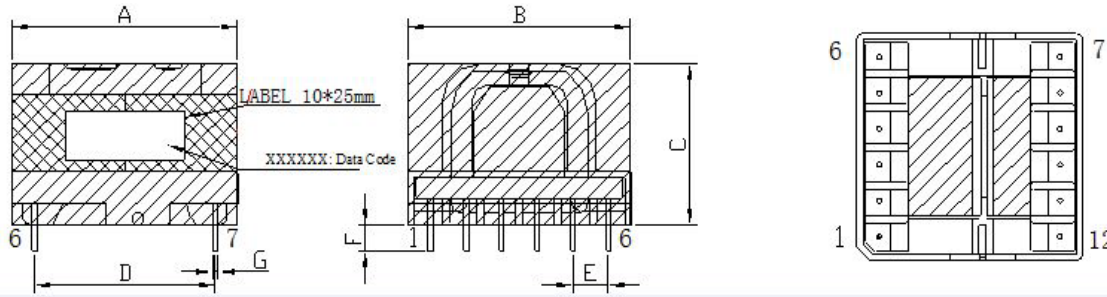


CUSTOMER TERMINAL	ROHS	Lead(Pb)-free
	YES	YES

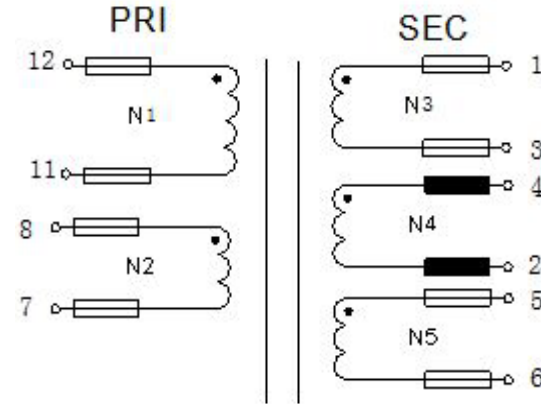


1.Mechanical Dimensions



A	36.0	MAX
B	31.5	MAX
C	23.5	MAX
D	27.4	±0.4
E	4.8	±0.3
F	4.0	±0.5
G	0.8	±0.1

2.Schematic Diagram



3.Material List

Core:FW44 EPC29
 Bobbin:EPC2934
 Wire:2UEW LITZ
 Operating Temperature: -30 to115 °C

4.Electrical Specification

Inductance : $L(12-11):1.3mH \pm 5\%$ 50KHZ, 1.0V
 Leakage inductance : $L(12-11):264\mu H \pm 4\%$ 50KHZ, 1.0V
 DCR : $(12-11)=0.567\Omega$ MAX $(1-3)=25.5m\Omega$ MAX
 Hi-Pot:P-S: AC 60Hz 4000V 1mA 3S
 P、S-CORE:AC 60Hz 2000V 1mA 3S

REV.	DATE	 Convention Placement	DRW.		Drawing Title:	Part No:
0	00/00		CHK.			
ROHS			www.fosopower.com	APP.		Customer P/N