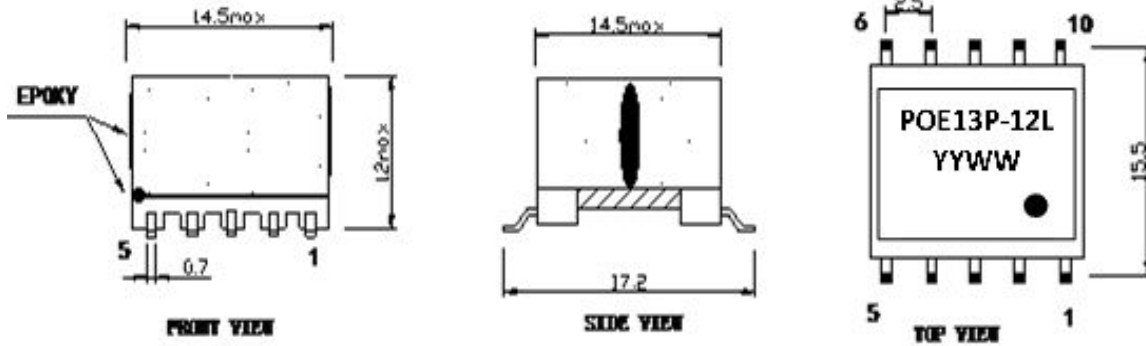


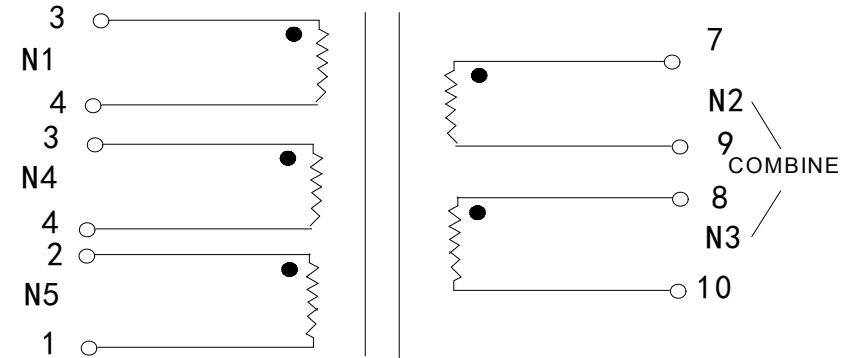
CUSTOMER TERMINAL	ROHS	Lead(Pb)-free
	Yes	Yes



1. Mechanical Dimensions: (mm)



2. Schematic Diagram



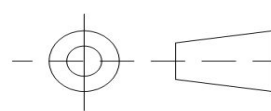
NOTE: **DOT ABOVE PIN 1.**

3. Material List

Core: FW40 EP13
 Bobbin: SFWB1301 5+5PIN
 Wire: 2UEW-F-
 Tape: 8mm/w(white)
 Epoxy: E-500

4. Electrical Specification

Inductance: $L(3-4): 127\mu H \pm 10\%$, (1KHZ 1V)
 DC Resistance: $R(3-4) = 0.5\Omega$ Max.
 Dielectric Strength: Between P-S No Break-down Applied AC 1500V/1mA/60S
 Dielectric Strength: Between coil-core No Break-down Applied 1000V/1mA/60S

REV.	DATE	 Convention placement	DRW.	DRAWING TITLE	Part No:		
0	07/27		CHK.			TRANSFORMER Customer P/N:	FWPTEP13SMD131K
			APP.				
RoHS		www.fosopower.com			SPECIFICATION SHEET 1 OF 1		