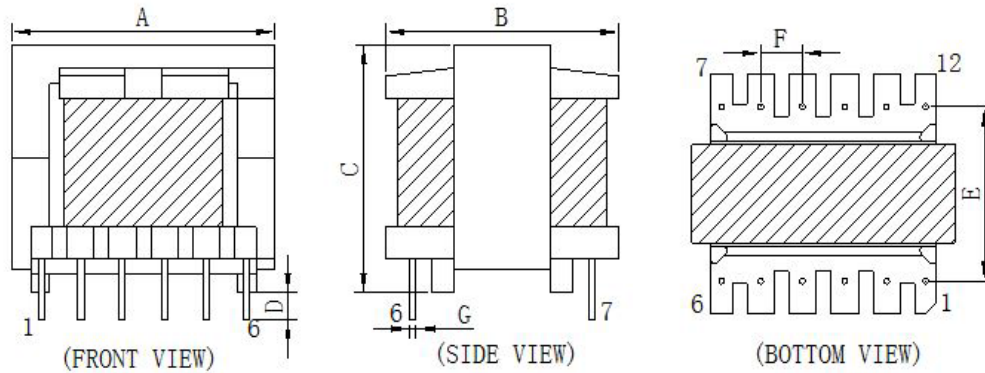


CUSTOMER TERMINAL	ROHS	Lead(Pb)-free
	YES	YES

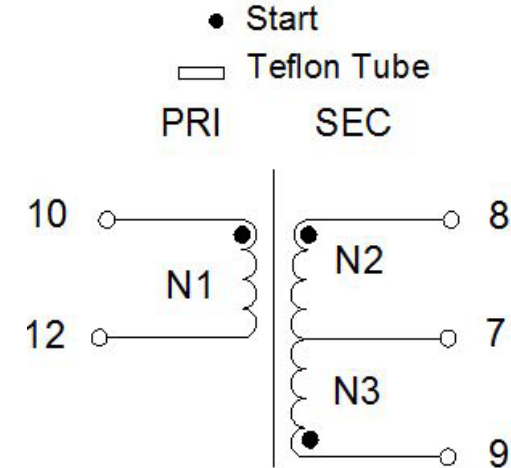


1.Mechanical Dimensions



A	35	MAX
B	31	MAX
C	32	MAX
D	3.5	±0.5
E	22.5	±0.5
F	5	±0.3
G	0.8	±0.1

2.Schematic Diagram



3.Material List

Core:FW40 EE33
 Bobbin:FWB3303(6+6PIN)
 Wire:2UEW LITZ
 Operating Temperature: -30 to115 °C

4.Electrical Specification

Inductance : $L(10-12):170\mu H \pm 5\%$ 100KHZ , 1.0V
 DCR : $(12-10)=0.16\Omega$ MAX $(8-7)=0.42\Omega$ MAX
 Hi-Pot:P-S: AC 60Hz 1500V 2mA 3S
 COIL-CORE: AC 60Hz 1500V 2mA 3S

REV.	DATE	 Convention Placement	DRW.	Drawing Title:	Part No:		
0	00/00		CHK.			TRANSFORMER	FWPTEI33V171J
			APP.			Customer P/N	Specification Sheet 1of 1
ROHS		www.fosopower.com					