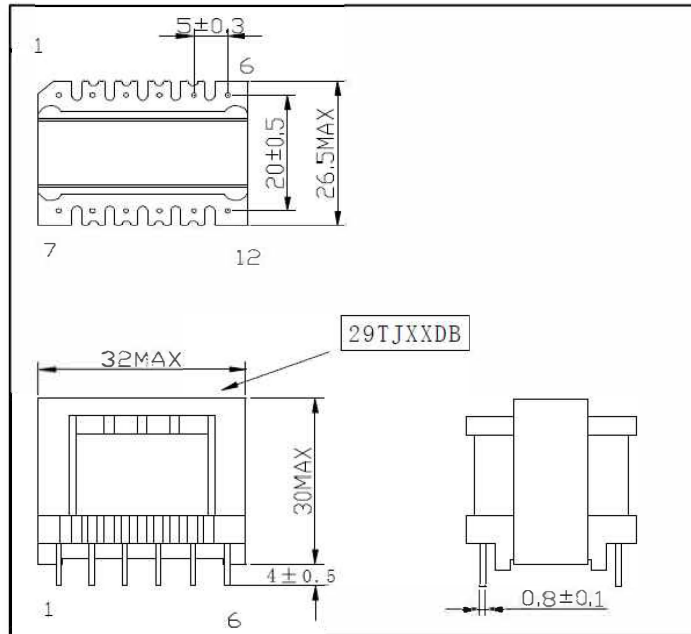


CUSTOMER TERMINAL	ROHS	Lead (Pb) -free
	YES	YES



1. Mechanical Dimensions



3. Material List

Core:FW40-EI30

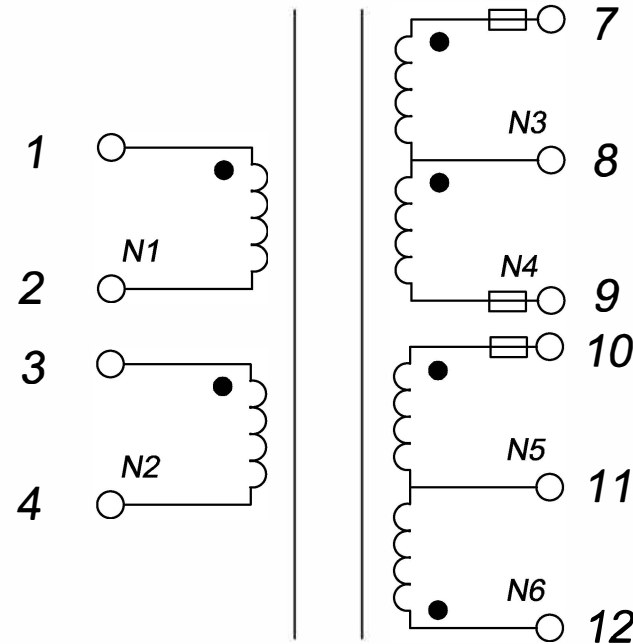
Bobbin:FWB3005

Wire:2UEW-0.32mm 130°C

Tape:CT-280 WF-2902

Operating Temperature: -30 to 115°C

2. Schematic Diagram



Note:N3,N4 are in the same layer,N5,N6 are in the same layer
All the windings need to use 2.0mm margin tape at both sides

4. Electrical Specification

Inductance: $L(1-2) = 2.3 \text{ mH} \pm 20\%$ 1.0KHZ 1.0V

HI-POT: COIL-CORE AC 500V 1mA 10seconds

P-S AC 3000V 1mA 10seconds

REV.	DATE	 Convention Placement	DRW.	Drawing Title:	Part No:
0	00/00		CHK.		
RoHS		www.fosopower.com	APP.	Customer P/N:	Specification Sheet 1 of 1