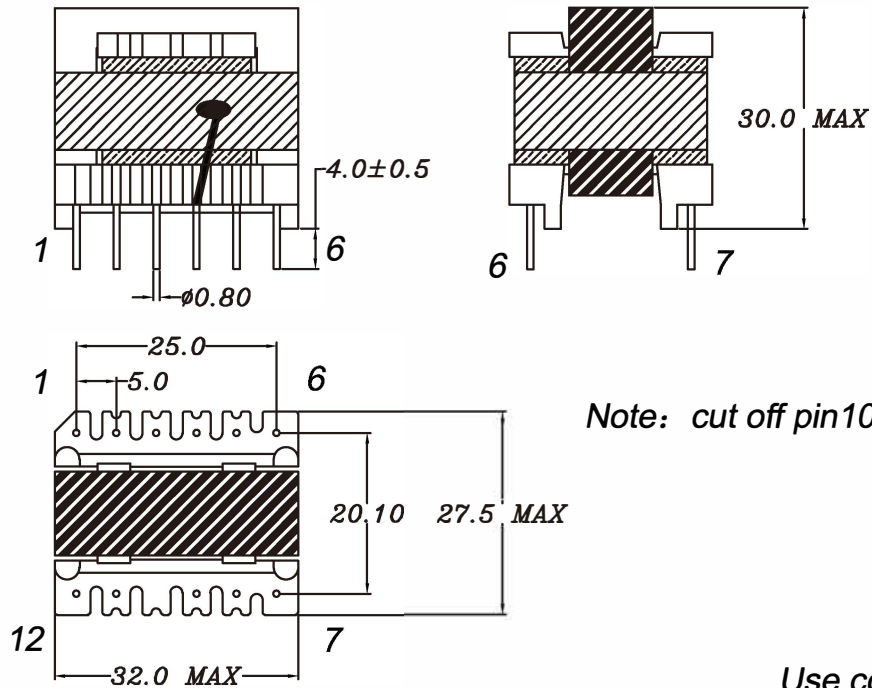


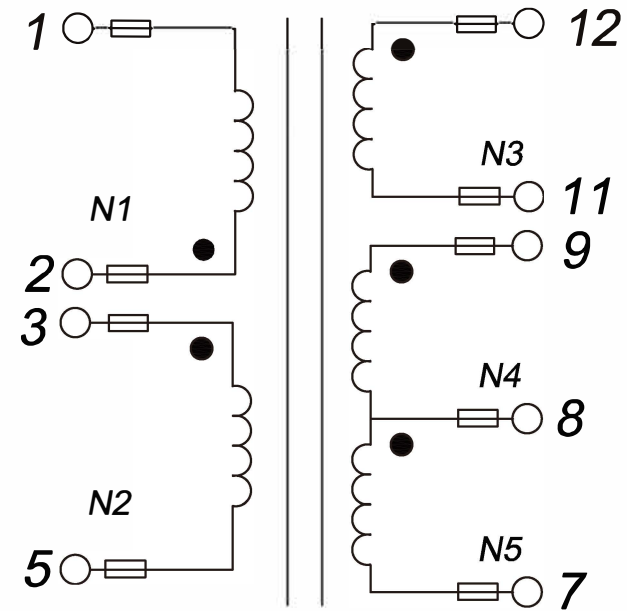
CUSTOMER TERMINAL	ROHS	Lead (Pb) -free
	YES	YES



1. Mechanical Dimensions



2. Schematic Diagram



Use copper foil with 0.1t*10.0mm around the coils and connected to PIN4

3. Material List

Core:FW40-EE30/15/7
 BOBBIN:FWB3005(6+6PIN)
 Wire:2UEW 0.32/0.50mm 130°C
 Operating Temperature: -30 to 115°C

4. Electrical Specification

Inductance: L(1-2)=100uH±20% 60KHZ 1V
 Hi-Pot: N2-N3,N3-N4, N4-CORE AC 3.0KV 5mA 3S
 N1-N2 0.5KV 5mA 3S

REV.	DATE	 Convention Placement	DRW.	Drawing Title: TRANSFORMER	Part No:
0	00/00		CHK.		Customer P/N:
RoHS		www.fosopower.com	APP.		Specification Sheet 1 of 1