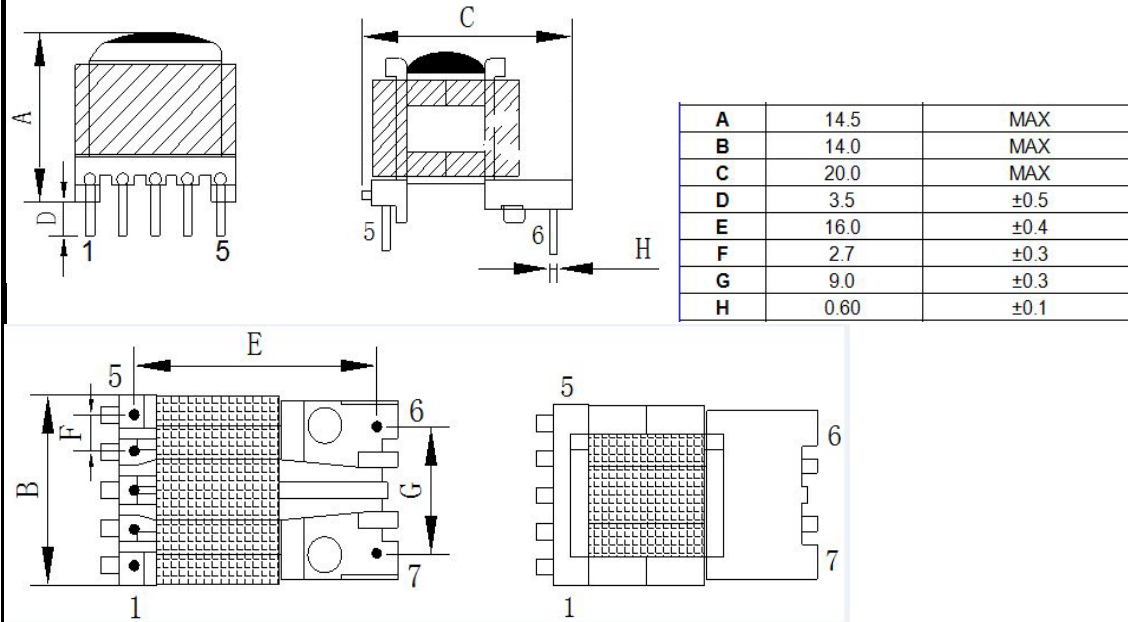


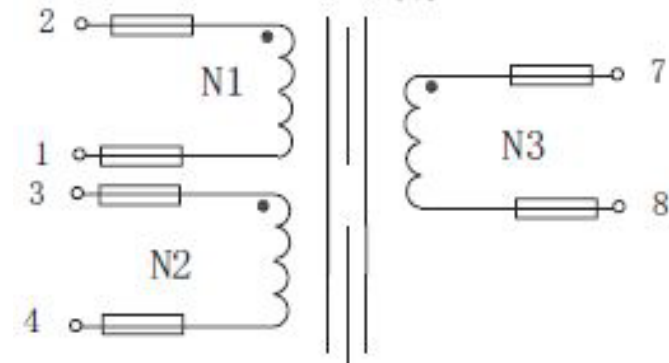
CUSTOMER TERMINAL	ROHS	Lead(Pb)-free
	YES	YES



### 1.Mechanical Dimensions



### 2.Schematic Diagram



### 3.Material List

Core:FW40 EE13  
 Bobbin:FWB1413(4+5PIN)  
 Wire:2UEW TIW  
 Operating Temperature: -30 to115 °C

### 4.Electrical Specification

Inductance:L(2-1):6.0mH±5% 60KHZ 、 1V  
 Leakage Inductance : 480uH MAX 60KHZ 、 1V  
 DCR:(2-1)=12Ω Max  
 Hi-Pot:P-S: AC 60Hz 4000V 2.0mA 3S  
 N1-N2-CORE:AC 60Hz 1500V 2.0mA 3S

REV.	DATE	 Convention Placement	DRW.	Drawing Title:	Part No:		
0	00/00		CHK.			<b>TRANSFORMER</b>	FWPTEE13H602J
			APP.			Customer P/N	Specification Sheet 1of 1
<b>ROHS</b>		www.fosopower.com					