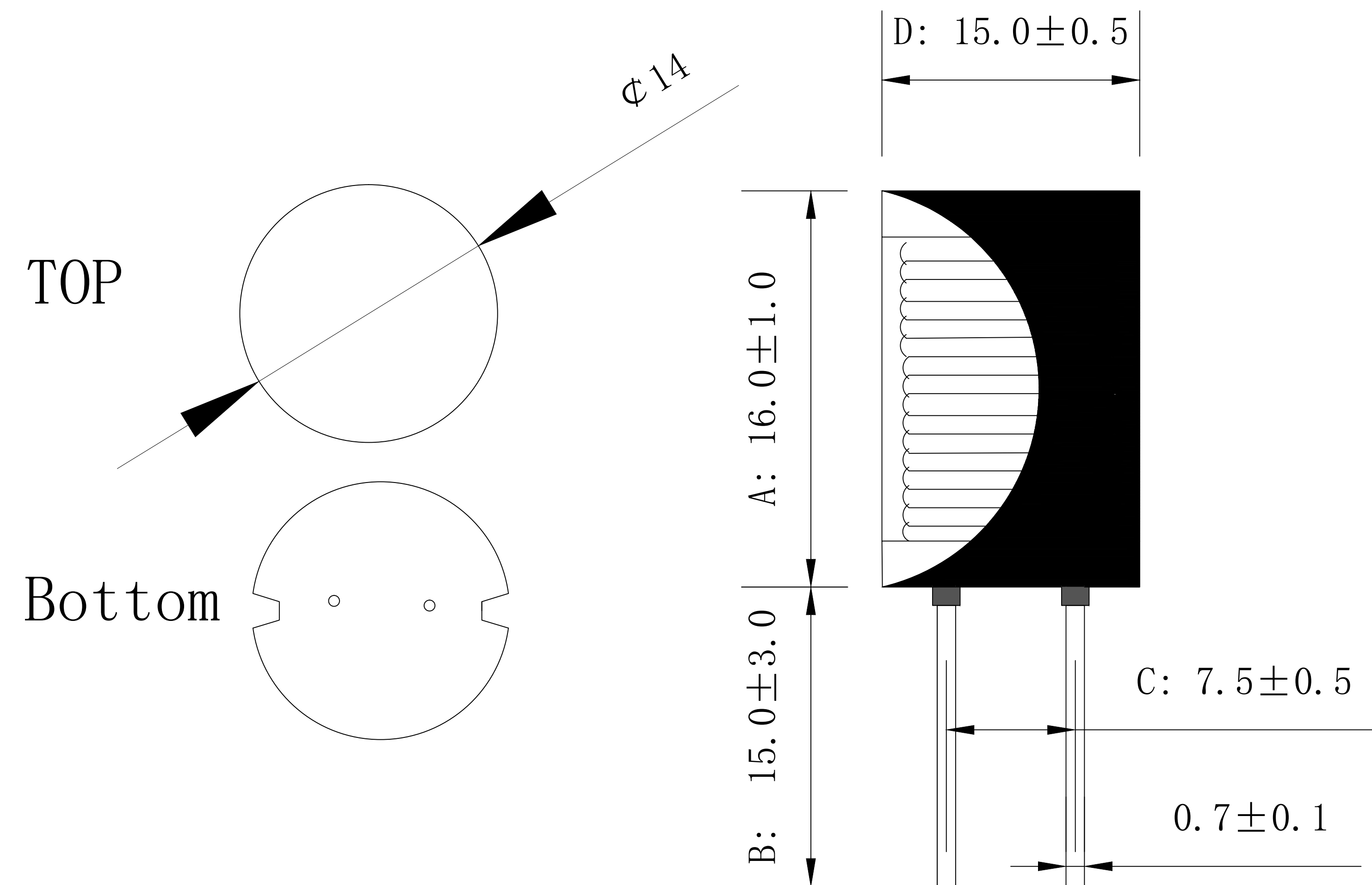


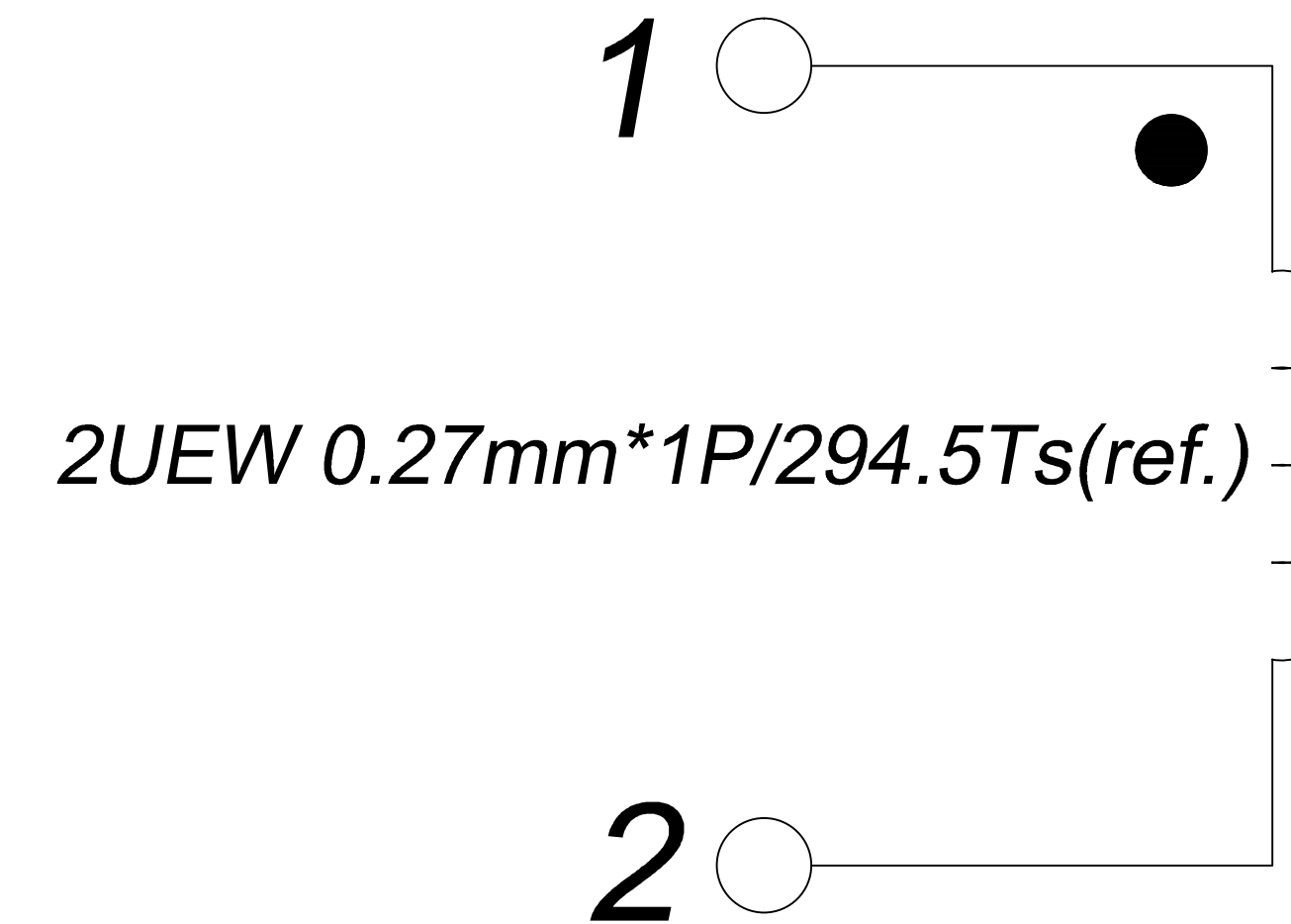
CUSTOMER TERMINAL	ROHS	Lead (Pb) -free
	YES	YES



1. Mechanical Dimensions (Unit: mm)



2. Schematic Diagram



3. Material List

Core: DRWW14*15(ϕ 7.1mm)
 Wire: 2UEW 0.27mm 155°C
 Operating Temperature: -30 to 115°C

4. Electrical Specification

Inductance: $L=4.7\text{mH}\pm 10\%$ 1.0KHZ 1.0V
 DCR: 3.6 Ω max
 IDC: 0.5A

REV.	DATE	 Convention Placement	DRW.		Drawing Title: INDUCTOR Customer P/N:	Part No:
0	0		CHK.			FWDRI1415B-472K
			APP.			Specification Sheet 1 of 1
		www.fosopower.com				