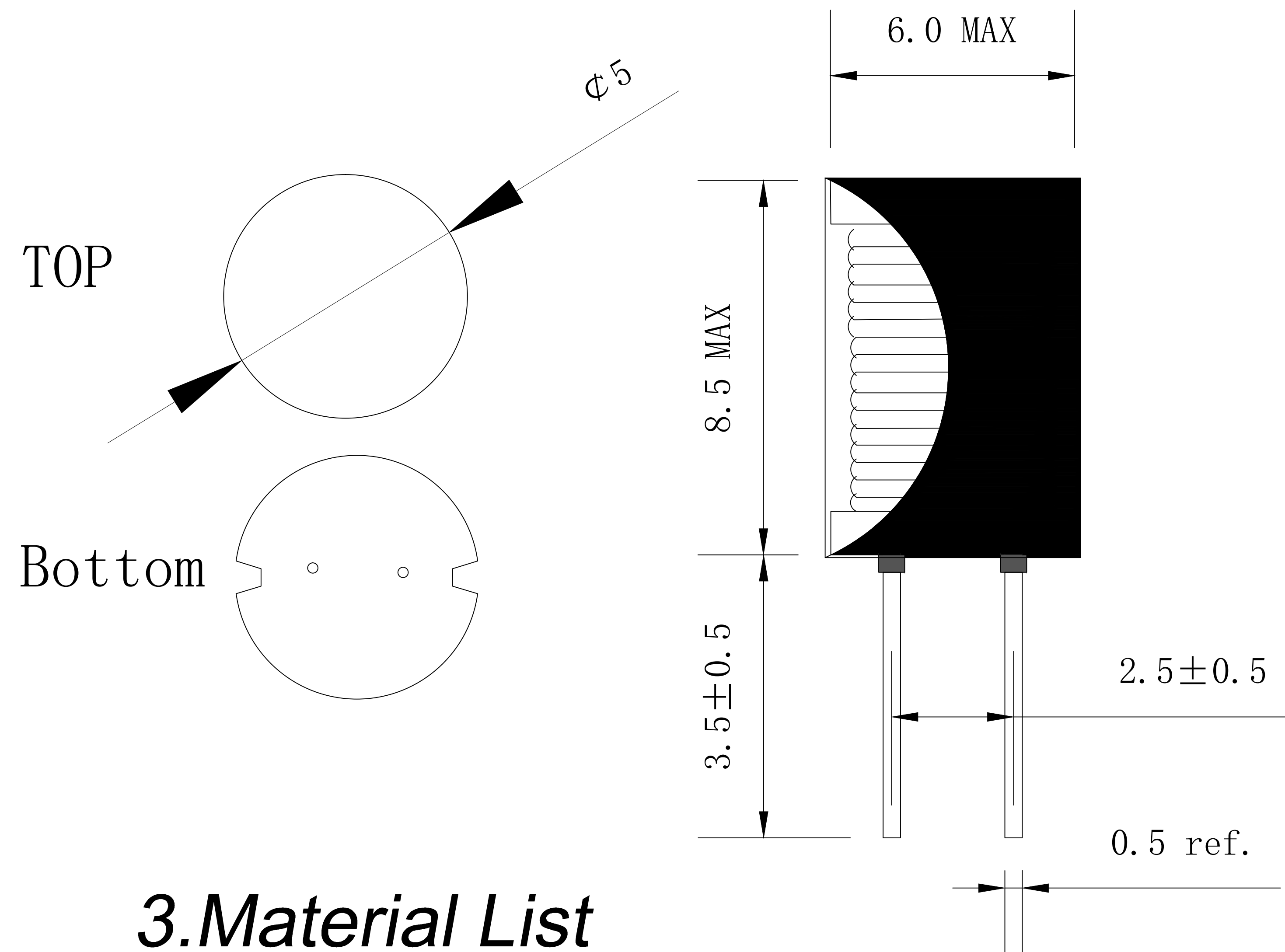
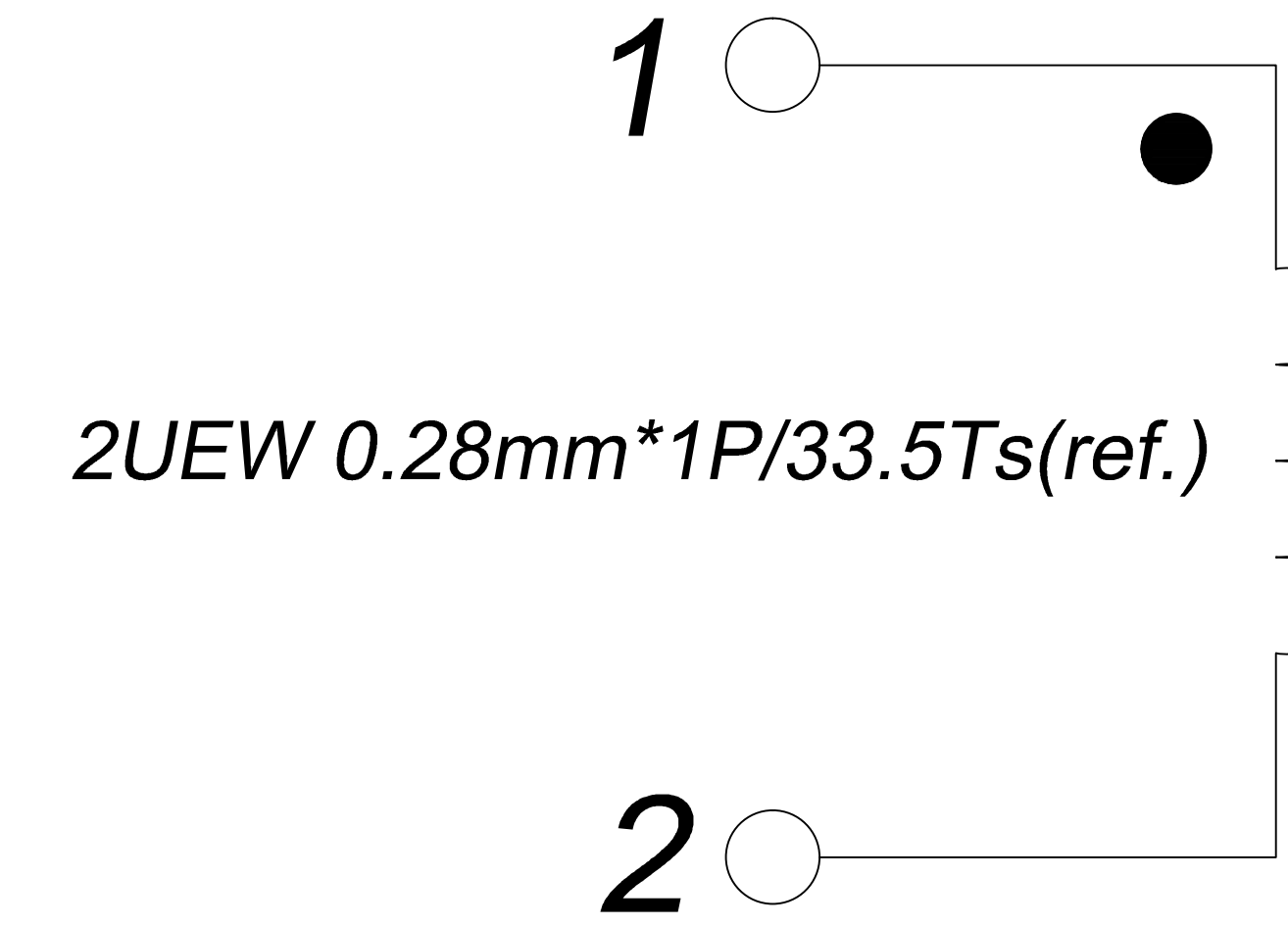


CUSTOMER TERMINAL	ROHS	Lead (Pb) -free
	YES	YES

1. Mechanical Dimensions (Unit: mm)



2. Schematic Diagram



3. Material List

Core: DR5*7
 Wire: 2UEW 0.28mm 155°C
 Tube: Heat shrink tube
 Tin: Sn99.3Cu0.7
 Operating Temperature: -40 to 125°C

4. Electrical Specification

Inductance: $L=22\mu H \pm 20\%$ 1.0KHZ 0.25V
 DCR: 130mΩ MAX
 IDC: 1.8A MAX

REV.	DATE	 Convention Placement	DRW.		Drawing Title: INDUCTOR	Part No:
0	00/00		CHK.			FWDRI0507B220M
		www.fosopower.com	APP.		Customer P/N:	Specification Sheet 1 of 1
					7447462220	