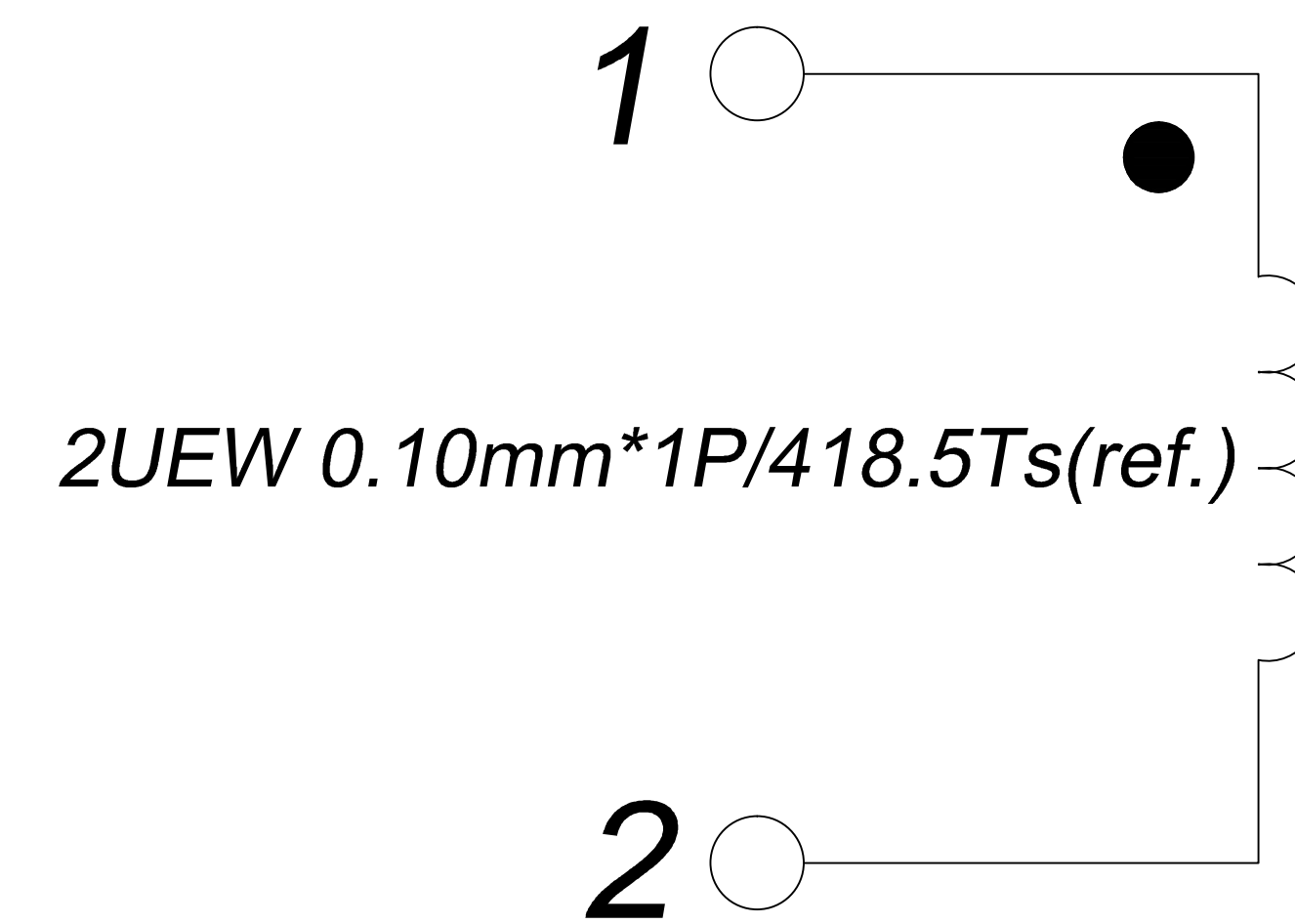
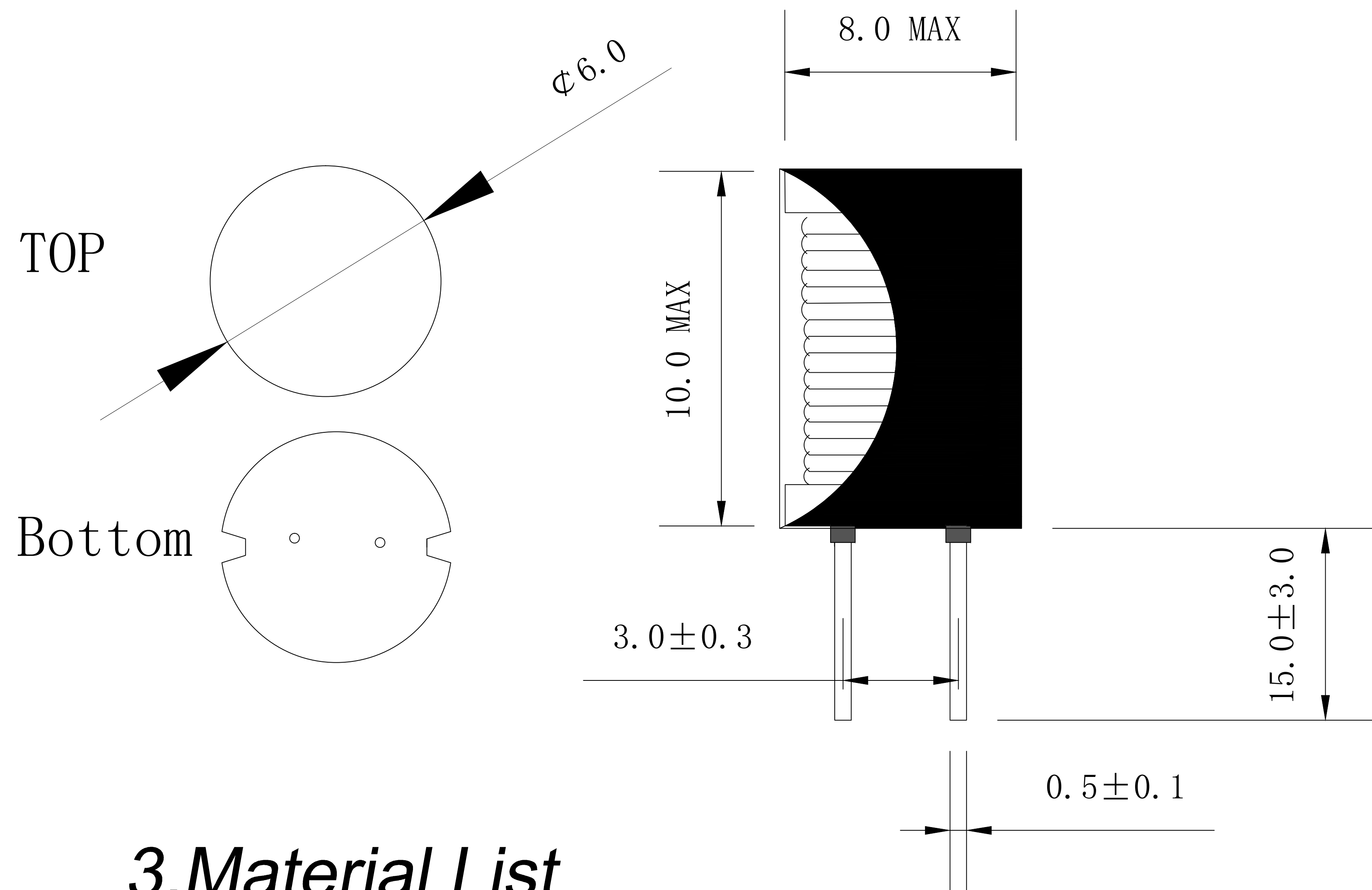


| | | |
|-------------------|------|-----------------|
| CUSTOMER TERMINAL | ROHS | Lead (Pb) -free |
| | YES | YES |



1. Mechanical Dimensions (Unit: mm)

2. Schematic Diagram



3. Material List

Core: DR6*8
 Wire: 2UEW 0.10mm 155°C
 Operating Temperature: -30 to 115°C

4. Electrical Specification

Inductance: L=4.7mH±10% 1.0KHZ 0.3V

| | | | | | | |
|------|-------|--------------------------|------|----------------|-----------------------------------|----------------------------|
| REV. | DATE | Convention Placement | DRW. | 2018.10.24 | Drawing Title: INDUCTOR | Part No: |
| 0 | 00/00 | | CHK. | 2018.10.24 | | FWDRI0608T472K |
| | | www.fosopower.com | APP. | 2018.10.24 | Customer P/N: | Specification Sheet 1 of 1 |
| | | | | | DR6*8 | |