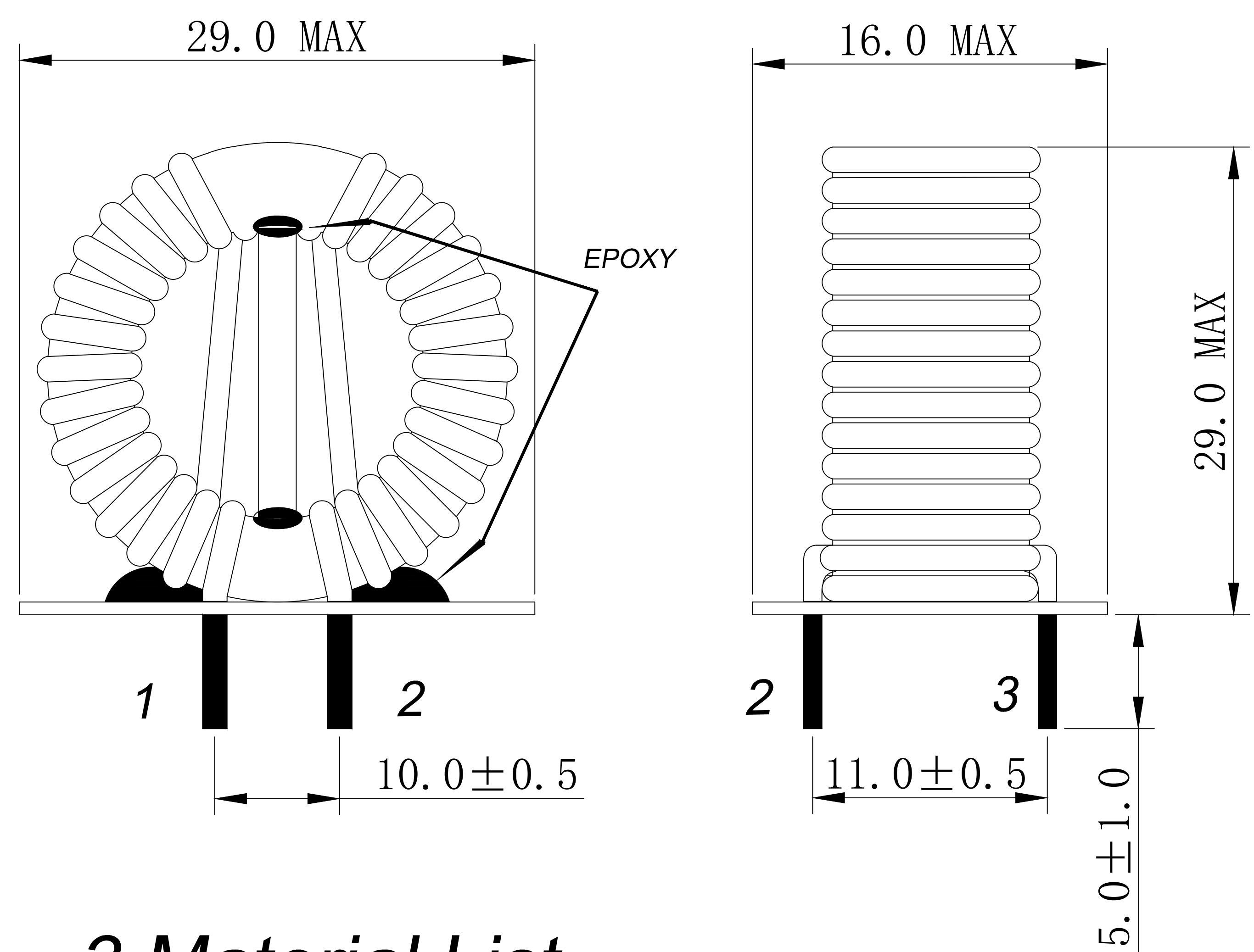


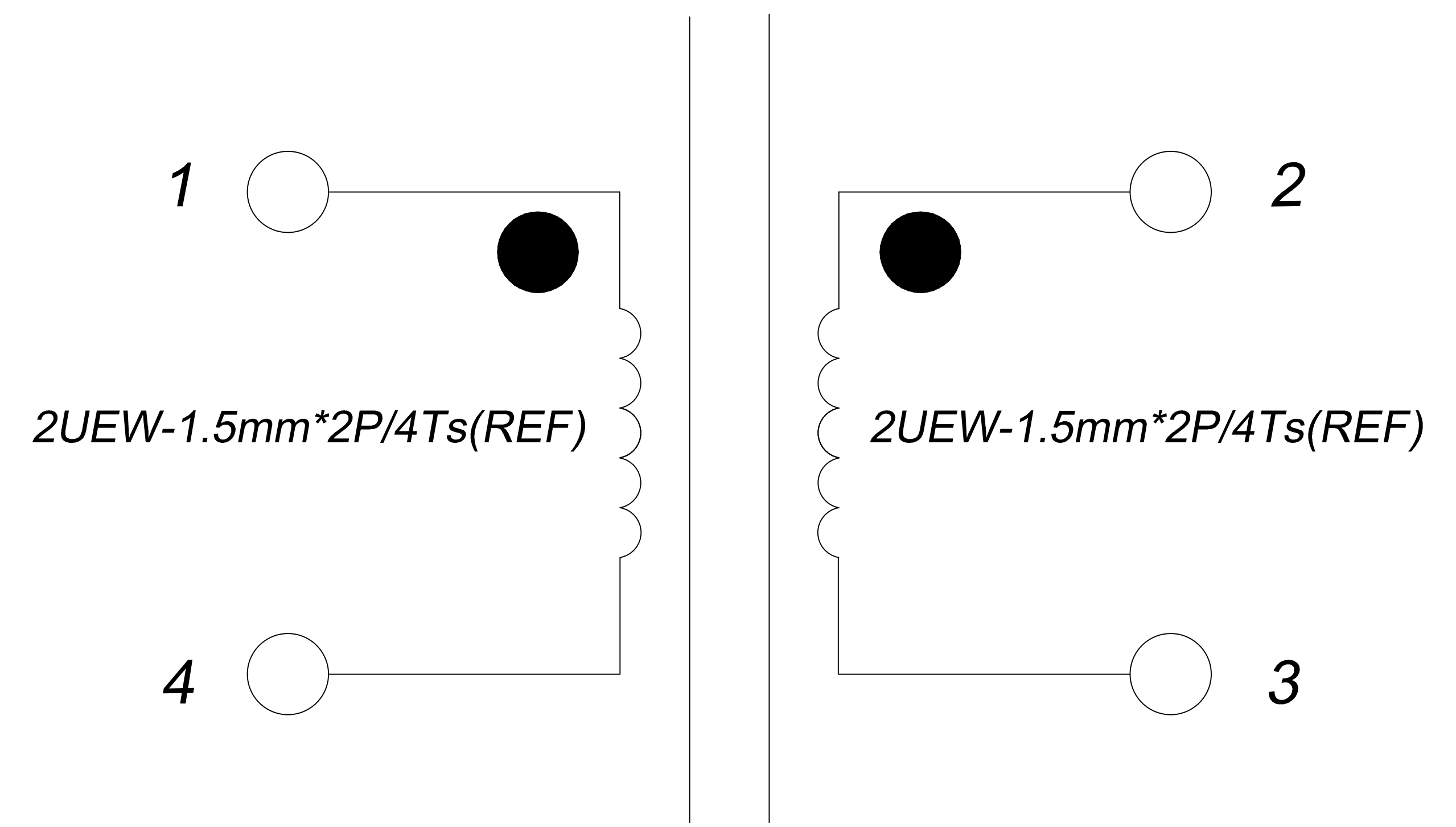
CUSTOMER TERMINAL	ROHS	Lead (Pb) -free
	YES	YES



1. Mechanical Dimensions



2. Schematic Diagram



3. Material List

Core: FWS15K-22*14*8C
 Wire: 2UEW-1.5mm 155°C
 Base: FR4
 EPOXY: E-500(BLACK)

4. Electrical Specification

Inductance: $L(1-4)=(3-2)=180\mu\text{H MIN } 10.0\text{KHZ } 0.1\text{V}$
 DCR: $(1-4)=(3-2)=1.0\text{m}\Omega \text{ MAX}$
 Hi-pot: Coil-Coil AC 1500V 5mA 2S

REV.	DATE	 Convention Placement www.fosopower.com	DRW.		Drawing Title: CHOKE	Part No:
0	00/00		CHK.			FWCMT221408181M
				APP.		Customer P/N:
					T22*14*8	