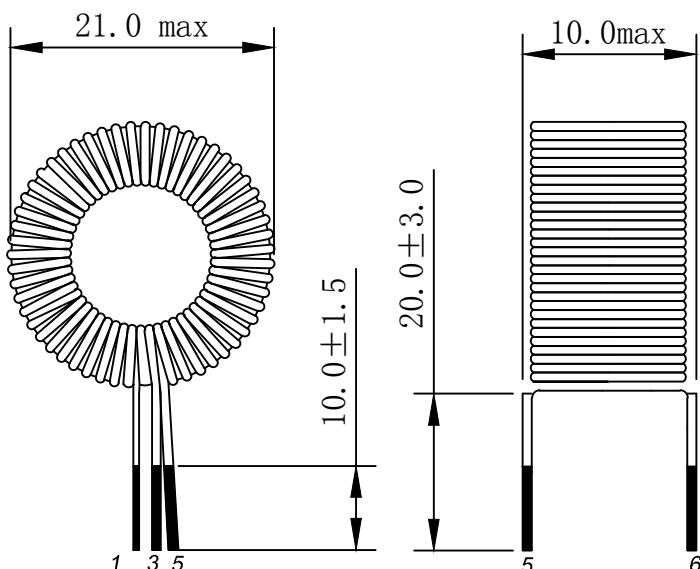


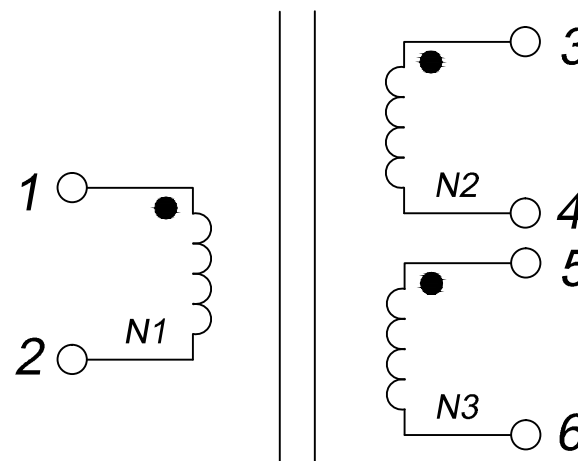
CUSTOMER TERMINAL	ROHS	Lead (Pb) -free
	YES	YES



1. Mechanical Dimensions



2. Schematic Diagram



3. Material List

Core:FW40-T16*9*5

Wire: 2UEW-F-0.20mm 155°C

Operating Temperature: -30 to 115°C

4. Electrical Specification

Inductance: L (1-2) =500uH±20% 1.0KHZ 1.0V

L(3-4)=(5-6)=2.5mH±20% 1.0KHZ 1.0V

REV.	DATE	 Convention Placement	DRW.	Drawing Title: CHOKE	Part No:
0	00/00		CHK.		Customer P/N:
RoHS		www.fosopower.com	APP.		Specification Sheet 1 of 1

THIS DOCUMENT IS STRICTLY NOT ALLOWED TO BE DUPLICATED WITHOUT AUTHORIZATION