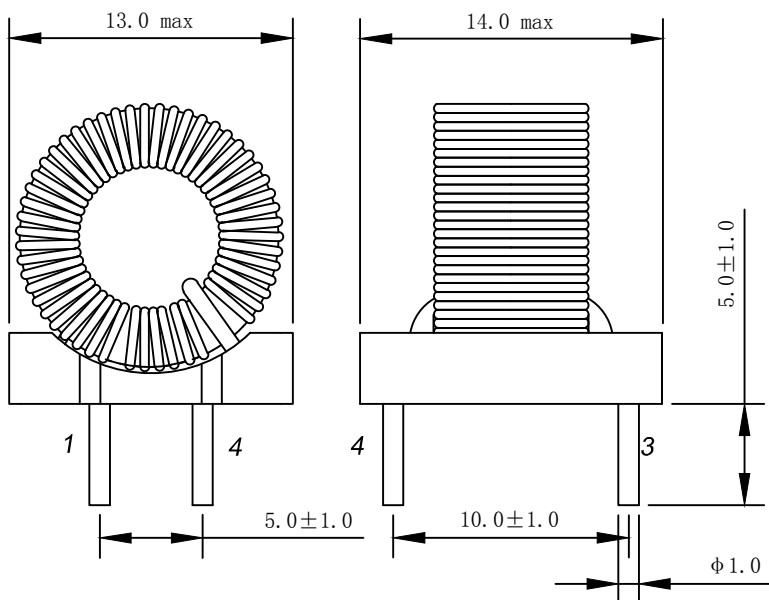


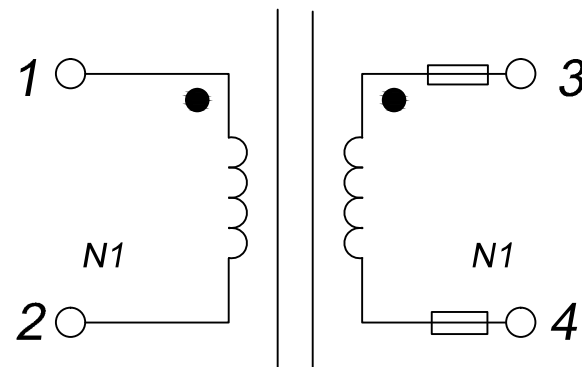
CUSTOMER TERMINAL	ROHS	Lead (Pb) -free
	YES	YES



### 1. Mechanical Dimensions



### 2. Schematic Diagram



### 3. Material List

Core:FW40-T10\*6\*5C (AL=1150±25%)

Wire:2UEW 0.18mm/1.0mm 155℃

Tube: TFL TUBE

EPOXY: E-500(BLACK)

Operating Temperature: -30 to 115℃

### 4. Electrical Specification

Inductance:  $L(1-2)=11.5\text{mH}\pm 25\%$  1K,1V

Hi-pot: coil-coil-core AC 800V 3mA 2s

REV.	DATE	 Convention Placement	DRW.	Drawing Title: <b>CHOKE</b>	Part No:
0	16/12/09		CHK.		Customer P/N:
<b>RoHS</b>		<a href="http://www.foso-power.com">www.foso-power.com</a>	APP.		Specification Sheet 1 of 1