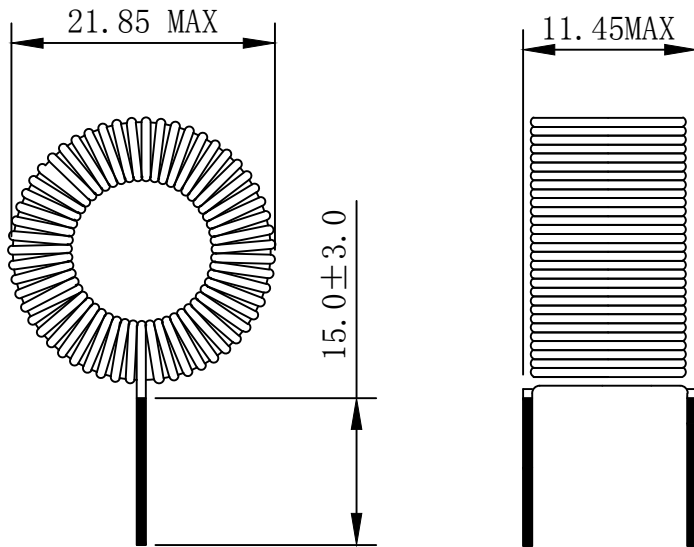


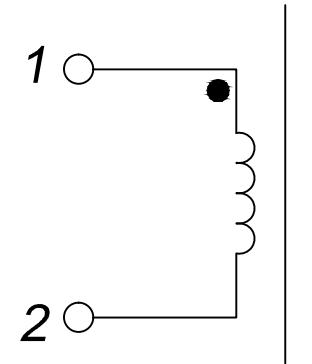
| | | |
|-------------------|------|-----------------|
| CUSTOMER TERMINAL | ROHS | Lead (Pb) -free |
| | YES | YES |



1. Mechanical Dimensions



2. Schematic Diagram



3. Material List

Core:KT068-060A

Wire: 2UEW-0.8mm 130°C

4. Electrical Specification

Inductance: $L(1-2) = 100.0\mu H \pm 15\%$ 1.0KHZ 1.0V

DCR: $(1-2) = 0.053\Omega$ MAX

| | | | | | |
|-------------|-------|--|------|--------------------------------|----------------------------|
| REV. | DATE | Convention Placement | DRW. | Drawing Title: CHOKE | Part No: |
| 0 | 00/00 | | CHK. | | Customer P/N: |
| RoHS | | www.fosopower.com | APP. | | Specification Sheet 1 of 1 |