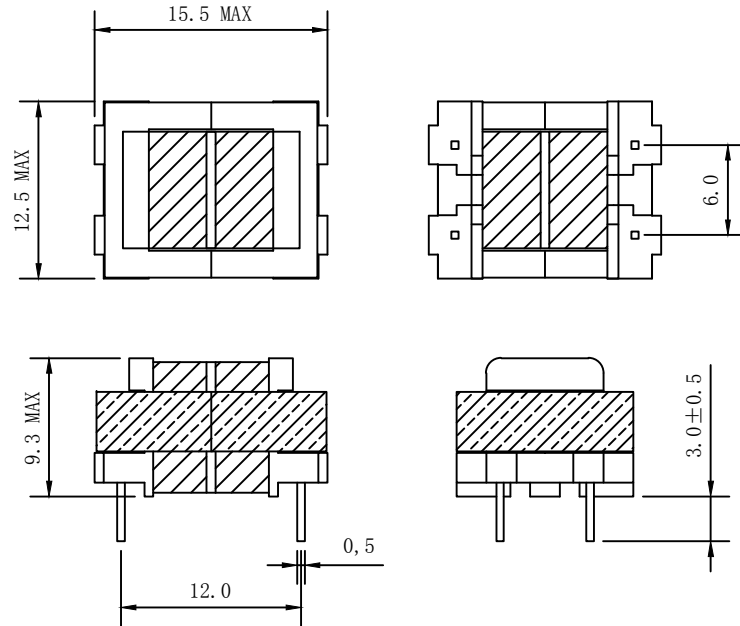


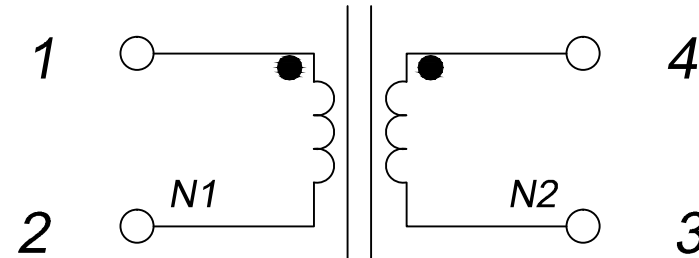
CUSTOMER TERMINAL	ROHS	Lead (Pb) -free
	YES	YES



1. Mechanical Dimensions



2. Schematic Diagram



3. Material List

Core:FW10K-EE12
 Bobbin:FWB1201 (2+2pin)
 Wire:2UEW
 Operating Temperature: -30 to 115°C

4. Electrical Specification

Inductance: $L(1-2)=(4-3)=30\text{mH min } 1\text{KHZ } 0.3\text{V}$
 HI-POT: coil-core AC 1000V 1mA 5S
 N1-N2 AC 1000V 1mA 5S

REV.	DATE	 Convention Placement	DRW.	Drawing Title: TRANSFORMER Customer P/N:	Part No:
0	00/00		CHK.		FWPTEE12H303N
RoHS		www.fosopower.com	APP.		Specification Sheet 1 of 1