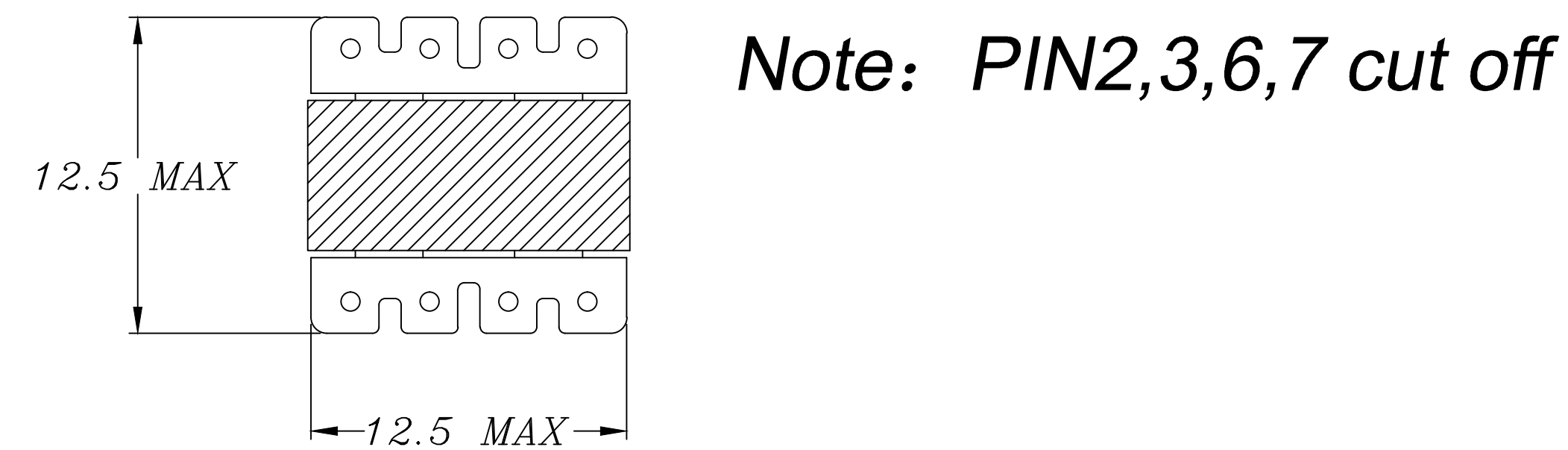
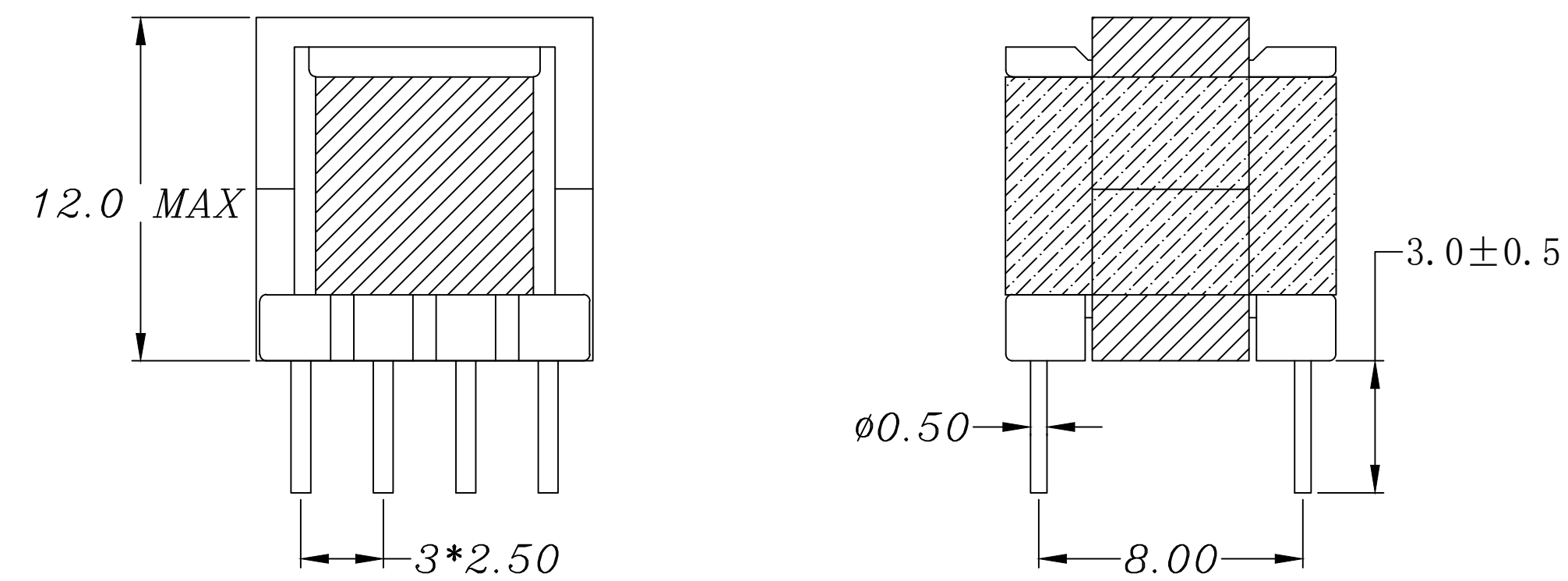
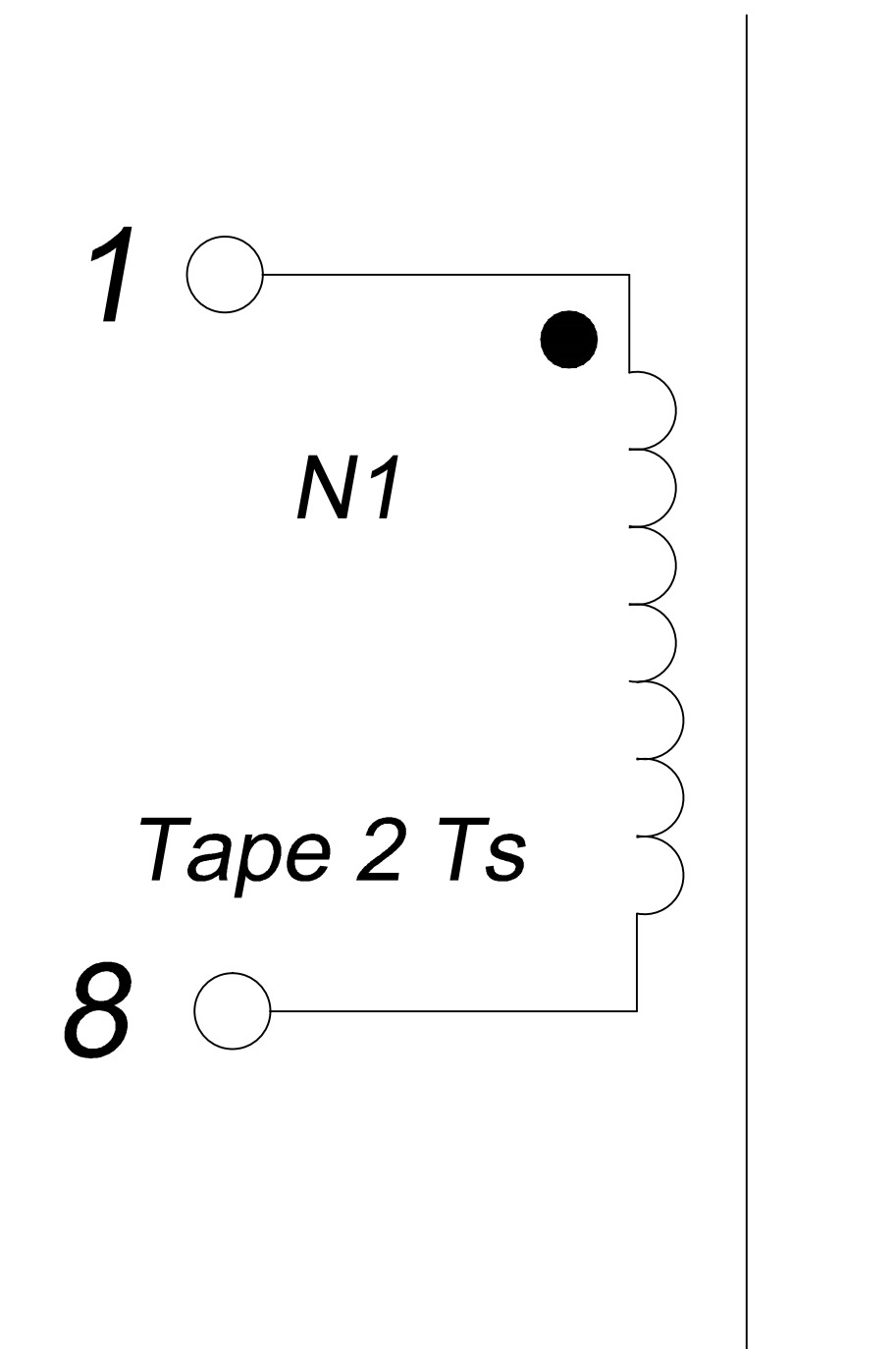


CUSTOMER TERMINAL	ROHS	Lead (Pb) -free
	YES	YES

1. Mechanical Dimensions



2. Schematic Diagram



3. Material List

Core:FW40-EE10/11/5
 Bobbin:FWB1001-Y
 Wire:2UEW-B-0.13mm 130°C
 Varnish: R-1038
 Operating Temperature: -30 to 115°C

4. Electrical Specification

Inductance: $L(1-8) = 2.5\text{mH} \pm 5\% \text{ 40.0KHZ } 1.0\text{V}$

REV.	DATE	 Convention Placement	DRW.	Drawing Title: TRANSFORMER Customer P/N:	Part No:
0	00/00		CHK.		FWPTEE10V252J
		www.fosopower.com	APP.		Specification Sheet 1 of 1