

**WC5W SERIES**


RoHS

**FEATURES**

- Universal input Voltage : 90 - 264VAC, 50/ 60Hz
- DoE Level VI efficiency
- Over voltage, Over current, Short circuit protection
- Fully enclosed plastic case
- 2 pole China plug
- Small wall-mounted type

WC5W series is a small wall-mounted type adapter. This series features universal input voltage, low power consumption, high efficiency, high reliability, and safer isolation, meets IEC/EN61000-4, CISPR22/EN55032 and GB4943. The entire series supplies different models with output voltages range between 5V and 15V that can satisfy the demands for the various types of consumer electronic devices, telecommunication devices, office and civil applications devices.

**Electric Specifications**

Model		FSP005AWVS005P(WC)	FSP005AWVS009P(WC)	FSP005AWVS012P(WC)	FSP005AWVS015P(WC)
Output	DC Voltage	5V	9V	12V	15V
	Rated current	1.0A	0.5A	0.5A	0.4A
	Current range	0-1.0A	0-0.5A	0-0.5A	0-0.4A
	Rated power	5.0W	4.5W	6.0W	6.0W
	Voltage Accuracy	±5%	±5%	±5%	±5%
	Line Regulation	±1%	±1%	±1%	±1%
	Load Regulation	±5%	±5%	±5%	±5%
	Ripple & Noise*	120mVp-p max	120mVp-p max	120mVp-p max	150mVp-p max
	Start-up time	3s@100-240VAC, full load			
	Hold-up time	10ms@115VAC, full load, 20ms@230VAC, full load			
	Rise time	80ms max			
	Overshoot/ Undershoot	±10%			
	Transient response	Output voltage range ±5%, load 25%-50%, 50%-75%, slope: 0.5A/us, frequency: 50Hz-10KHz			
	Input	Input voltage	90 - 264VAC		
Input frequency		47 - 63Hz			
Efficiency(Typ.)		73.62%	77.05%	78.88%	78.88%
Input current		0.15A Max@100VAC, full load			
Inrush current		Cold start: 30A/ 230VAC			
No load power		<0.1W			
Leakage current		0.25mA Max@240VAC			
Protections	Over voltage	Rated output voltage 110%-150%			
	Over current	Rated output current 110%-200%, self-recovery			
	Short circuit	Hiccup, Continuous, self-recovery			
Note	* Ripple and noise are measured by 20MHz bandwidth; at full load, 100-240VAC input, output terminated with a 0.1uF ceramic capacitor and a 10uF electrolytic capacitor.				

## General Specifications

Item	Operating Conditions	Min.	Typ.	Max.	Unit
Isolation Voltage	Input-output, Test 1 minute, leakage current <5mA	3000	--	--	VAC
Insulation Resistance	Input-output, add 500Vdc test voltage	100	--	--	MΩ
Operating Temperature		-10	--	40	°C
Storage Temperature		-25	--	70	
Operating Humidity		--	--	90	%RH
Storage Humidity		--	--	95	
Altitude		--	--	5000	m
Lifetime	25°C	2			years
MTBF	MIL-HDBK-217F (25°C)	50000	--	--	hours

## Physical Specifications

Casing Material	PC,120°C 94V-0
Color	Black/White(Other color can be designed by customization)
Dimension	(L)55.00mm*(W)24.00mm*(H)35.00mm
Weight	55g(Typ.)
Cooling Method	Free air convection

## EMC Specifications

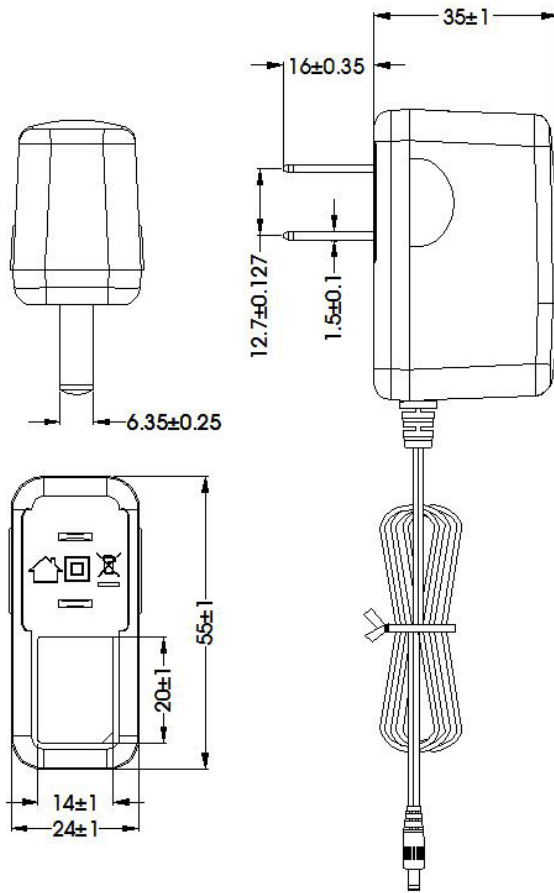
EMI	RE	EN55032, CLASS B	
	CE	EN55032, CLASS B	
EMS	ESD(MAX)	IEC/EN61000-4-2 Contact ±8KV/Air ±15KV	perf. Criteria B
	RS	IEC61000-4-3 3V/m	perf. Criteria A
	CS	IEC61000-4-6 3Vrms	perf. Criteria A
	Surge(MAX)	IEC/EN61000-4-5 ±2KV/ ±2KV	perf. Criteria B

Note: standard ESD contact ±4KV/Air ±8KV, Surge ±1KV/ ±1KV.

## Safety Standards

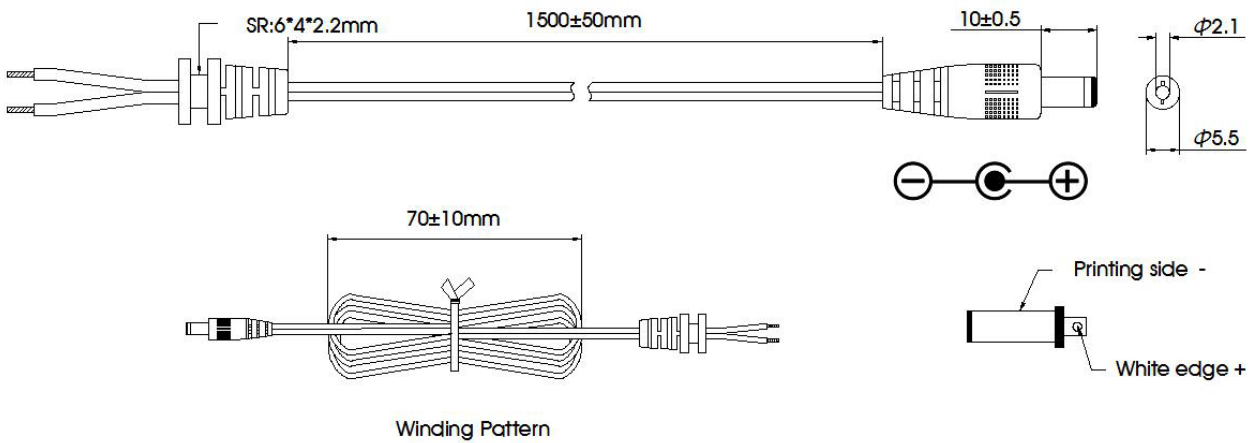
Application fields	Standard	Status	Note
IT	GB4943	Approved	
AV	GB8898	Meet	
Home appliances	GB4706	Meet	

Mechanical Drawing



Note:  
No display tolerance:  $\pm 0.12$   
Unit: mm

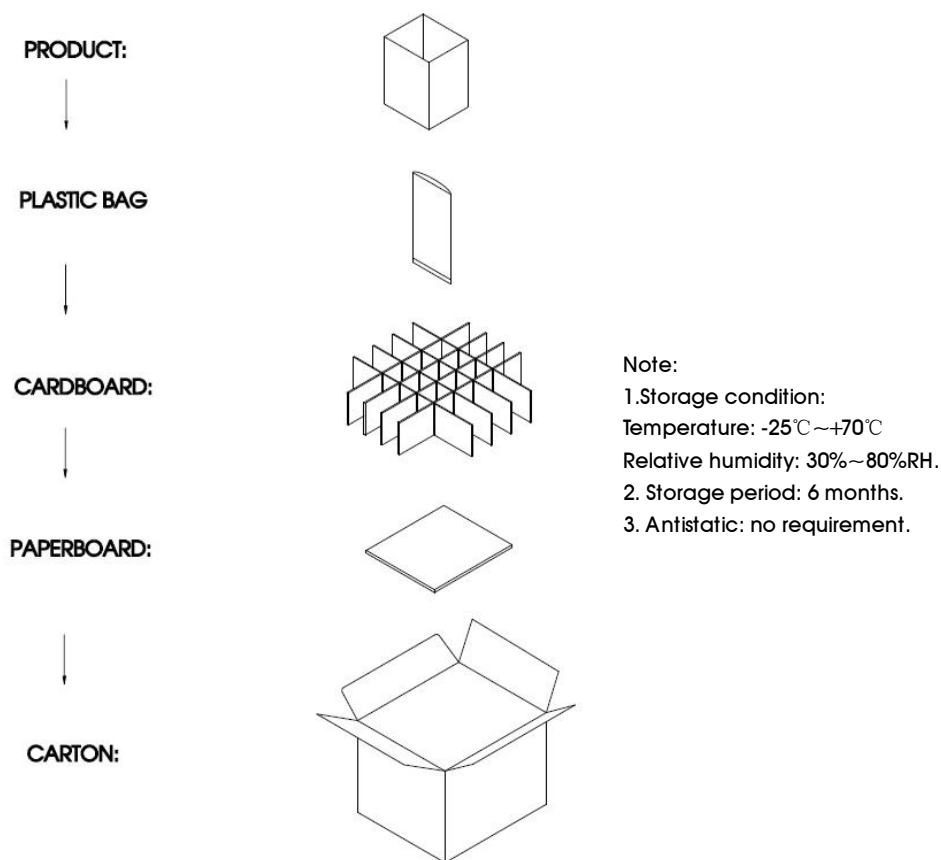
DC Wire Drawing



NO.	ITEM	Q' TY	DESCRIPTION
01	CABLE	1PCS	5V/9V/12V/15V UL2468 24AWG/2C 80°C/300V L=1500mm
02	PLUG	1PCS	DC PLUG:5.5*2.1*10

Note:  
1.Compliance with RoHS  
2.No display tolerance:  $\pm 0.12$   
3.Unit: mm

## Package Drawing



## Note:

1. Products are related to laws and regulations: see "Features" , "EMC" and "Safety standards".
2. Our products shall be classified according to ISO14001 and related environmental laws and regulations, and shall be handled by qualified units.
3. If the product is not operated within the required load range, the product performance cannot be guaranteed to comply with all parameters in the datasheet ;
4. Unless otherwise specified, parameters in this datasheet were measured under the conditions of  $T_a=25\text{ }^{\circ}\text{C}$  , humidity<75% with nominal input voltage and rated output load;
5. All index testing methods in this datasheet are based on our Company's corporate standards;
6. We can provide product customization service; Please contact our technicians directly for specific information;